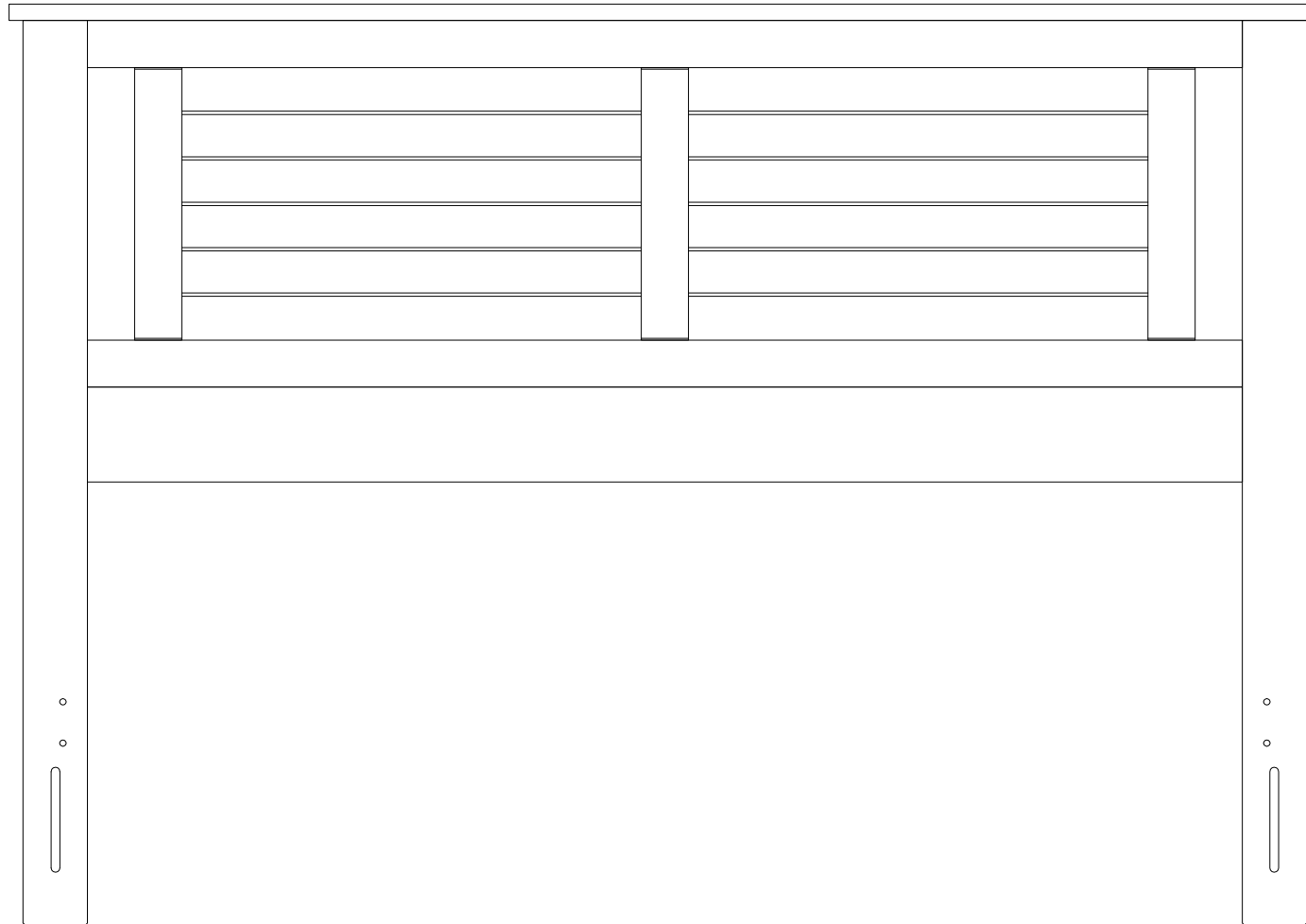


# ASSEMBLY INSTRUCTIONS:

## 52057 QUEEN HEADBOARD

VERSION 1.1



If you're having difficulty, our friendly Customer Care team is always here to help. Call us at 1.336.861.0604 during business hours, email [parts@comfortpointe.com](mailto:parts@comfortpointe.com).

# 52057 QUEEN HEADBOARD

## ASSEMBLY INSTRUCTIONS

Read these instructions carefully and keep for future reference. Refer to parts inventory for guidance, and ensure you have all pieces before starting.

When assembling, place all parts on a soft, clean, and flat surface such as a carpet to prevent scratches.

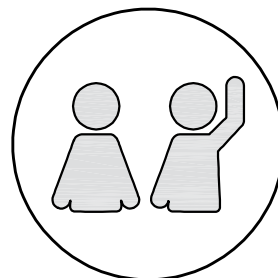
**If you're having difficulty, our friendly Customer Care team is always here to help. Call us at 1.336.861.0604 during business hours, email [parts@comfortpointe.com](mailto:parts@comfortpointe.com).**

Attention : Veuillez Lire Toutes Les Instructions Avant De Commencer L'assemblage De Ce Produit. Les Pièces Sont Lourdes. Pour Éviter Toute Blessure Et Pour Vous Assurer Que Le Produit N'est Pas Endommagé Pendant L'assemblage, Nous Vous Recommandons De Faire Appel À Une Ou Plusieurs Autres Personnes.

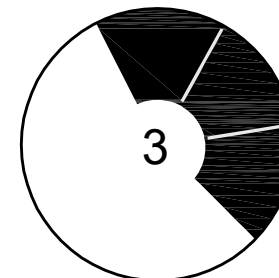
Cuidado: Favor De Leer Todas Las Instrucciones Antes De Ensamblar Su Producto. Estas Piezas Son Pesadas. Para Prevenir Heridas Personales Y Asegurar Que Su Producto No Sea Dañado Mientras Es Ensamblado, Se Recomienda La Asistencia De Una O Más Personas.



**TIME**



**# OF PEOPLE**



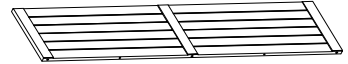


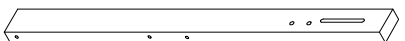
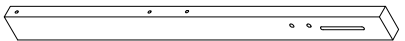


**DIFFICULTY**

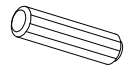
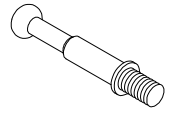
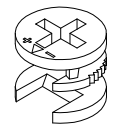
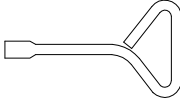
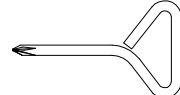
**Important: Use hand tools for assembly. Power tools can lead to over-tightening and damage.**

# 52057 QUEEN HEADBOARD

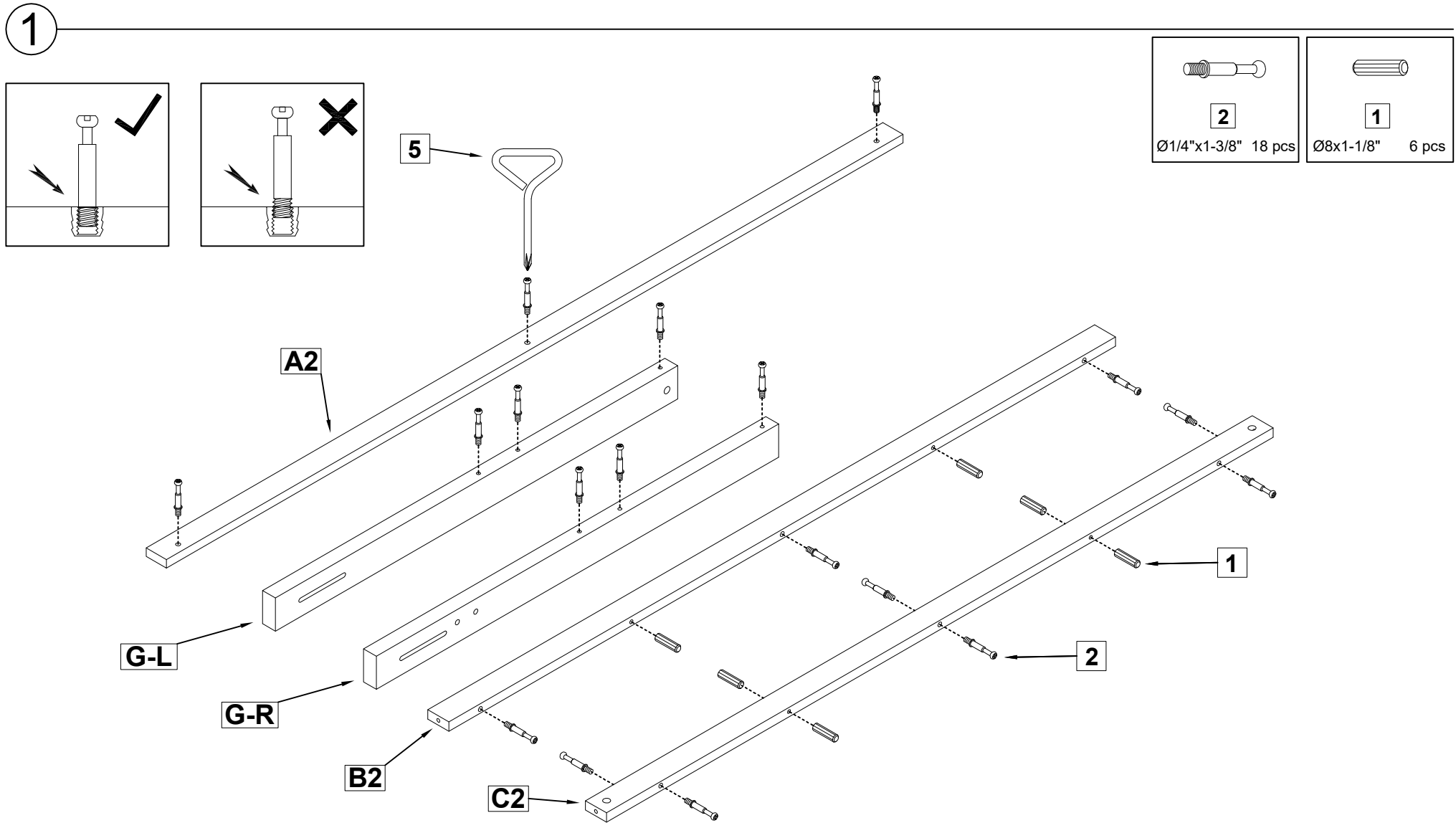
## Parts List

CODE	DESCRIPTION	QTY
<b>A2</b>	Headboard Top 	1 pc
<b>B2</b>	Crossbar Top 	1 pc
<b>E2</b>	Headboard 	1 pc
<b>C2</b>	Crossbar 	1 pc
<b>D2</b>	Crossbar Bottom 	1 pc
<b>G-R</b>	Right Leg 	1 pc
<b>G-L</b>	Left Leg 	1 pc

## Hardware List

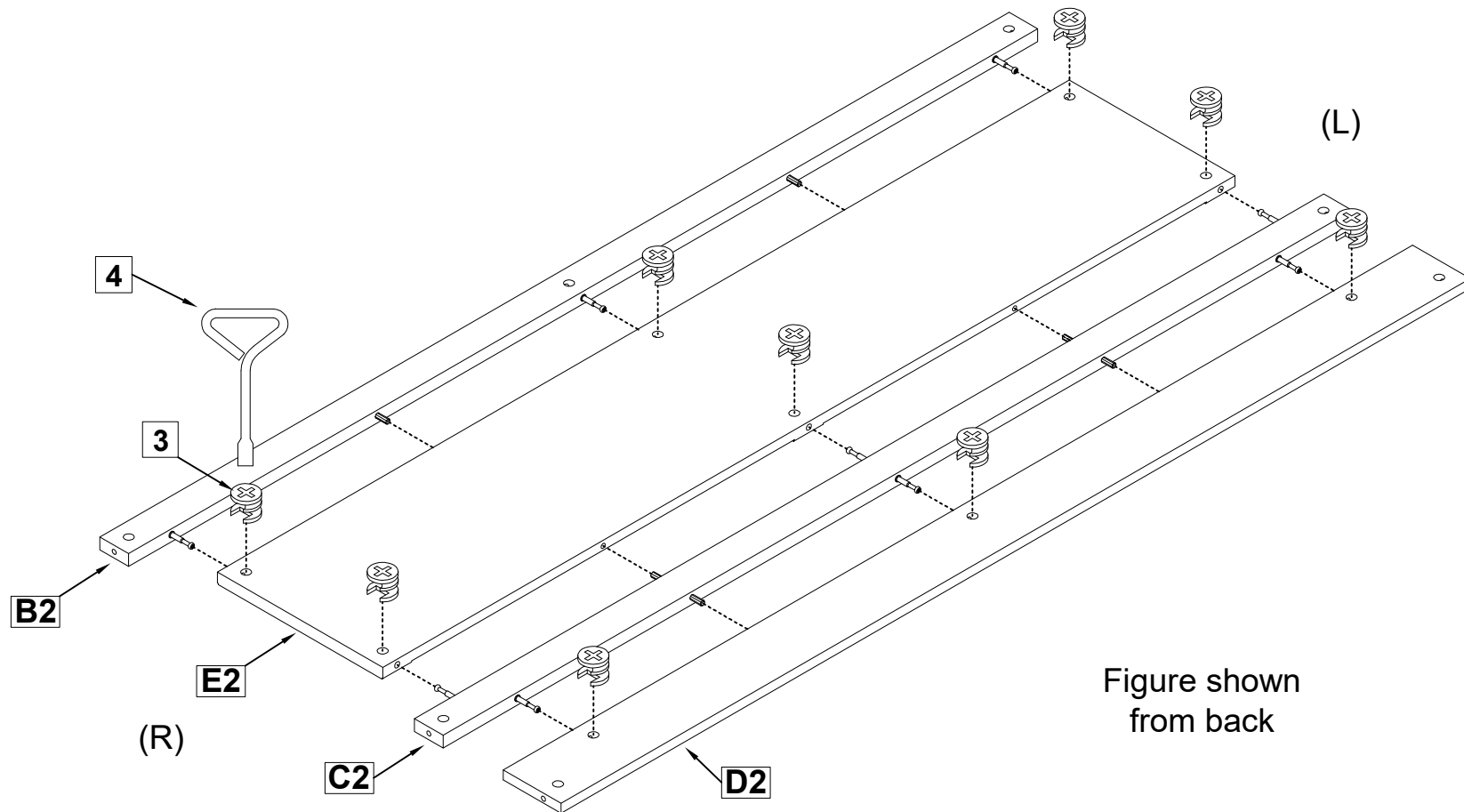
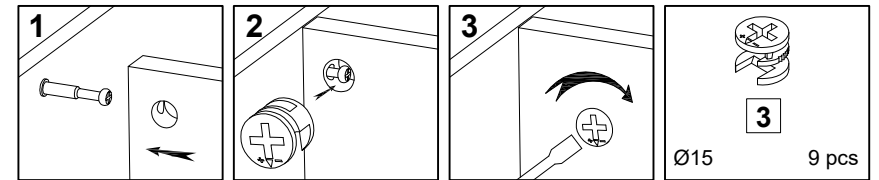
CODE	DESCRIPTION	QTY
<b>1</b>	Dowel Ø8x1-1/8" 	7 pcs
<b>2</b>	Cam Lock Bolt Ø1/4"x1-3/8" 	19 pcs
<b>3</b>	Cam Lock Ø15 	19 pcs
<b>4</b>	Flat Head Screwdriver 	1 pc
<b>5</b>	Philips Head Screwdriver 	1 pc

# 52057 QUEEN HEADBOARD



If you're having difficulty, our friendly Customer Care team is always here to help. Call us at 1.336.861.0604 during business hours, email [parts@comfortpointe.com](mailto:parts@comfortpointe.com).

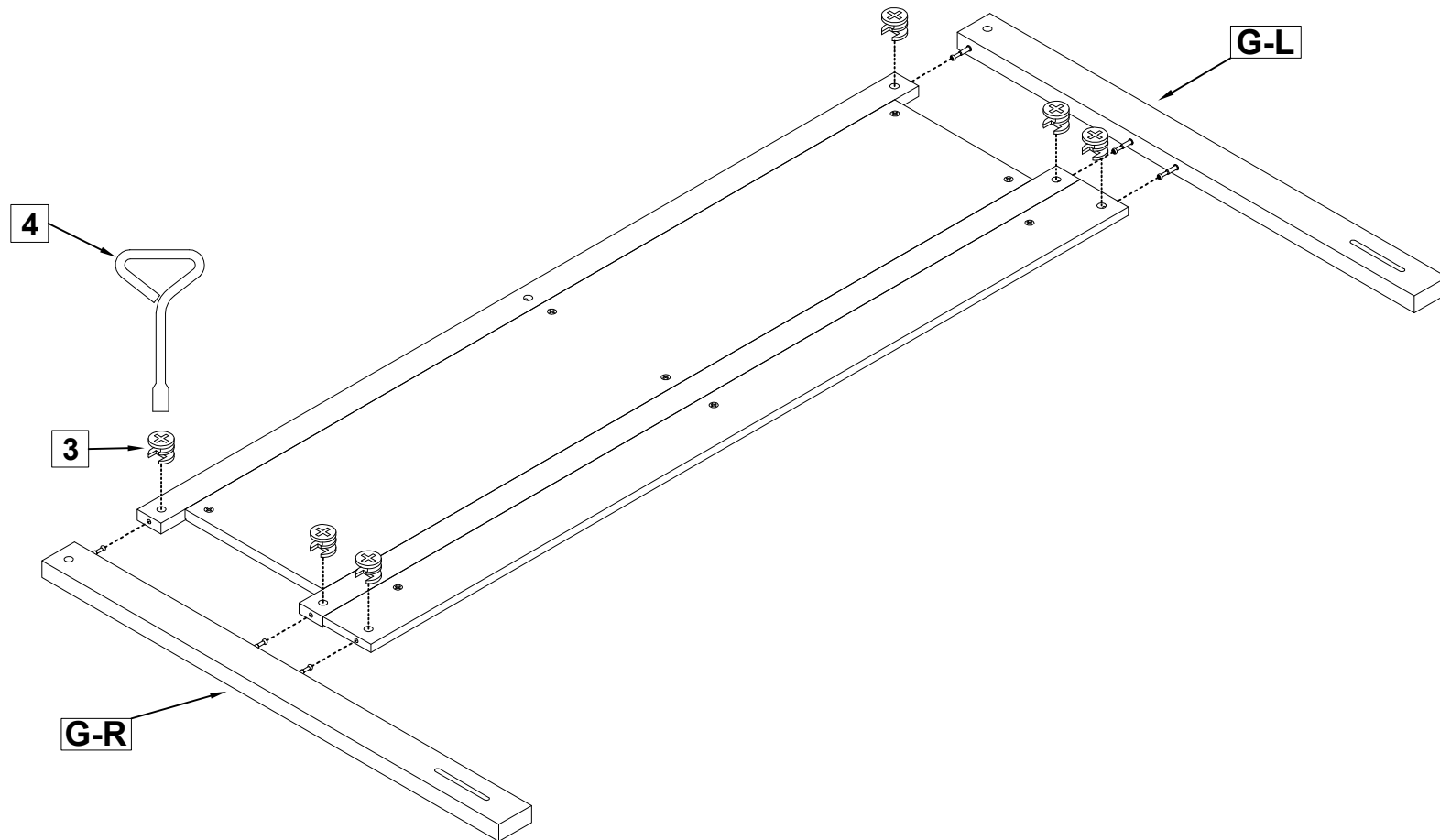
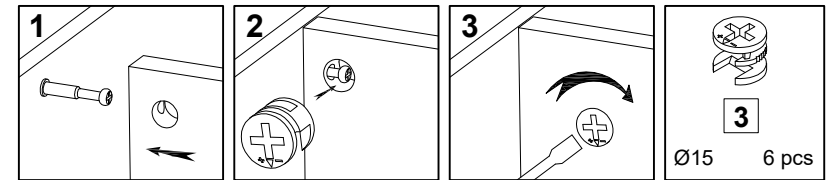
2



If you're having difficulty, our friendly Customer Care team is always here to help. Call us at 1.336.861.0604 during business hours, email [parts@comfortpointe.com](mailto:parts@comfortpointe.com).

# 52057 QUEEN HEADBOARD

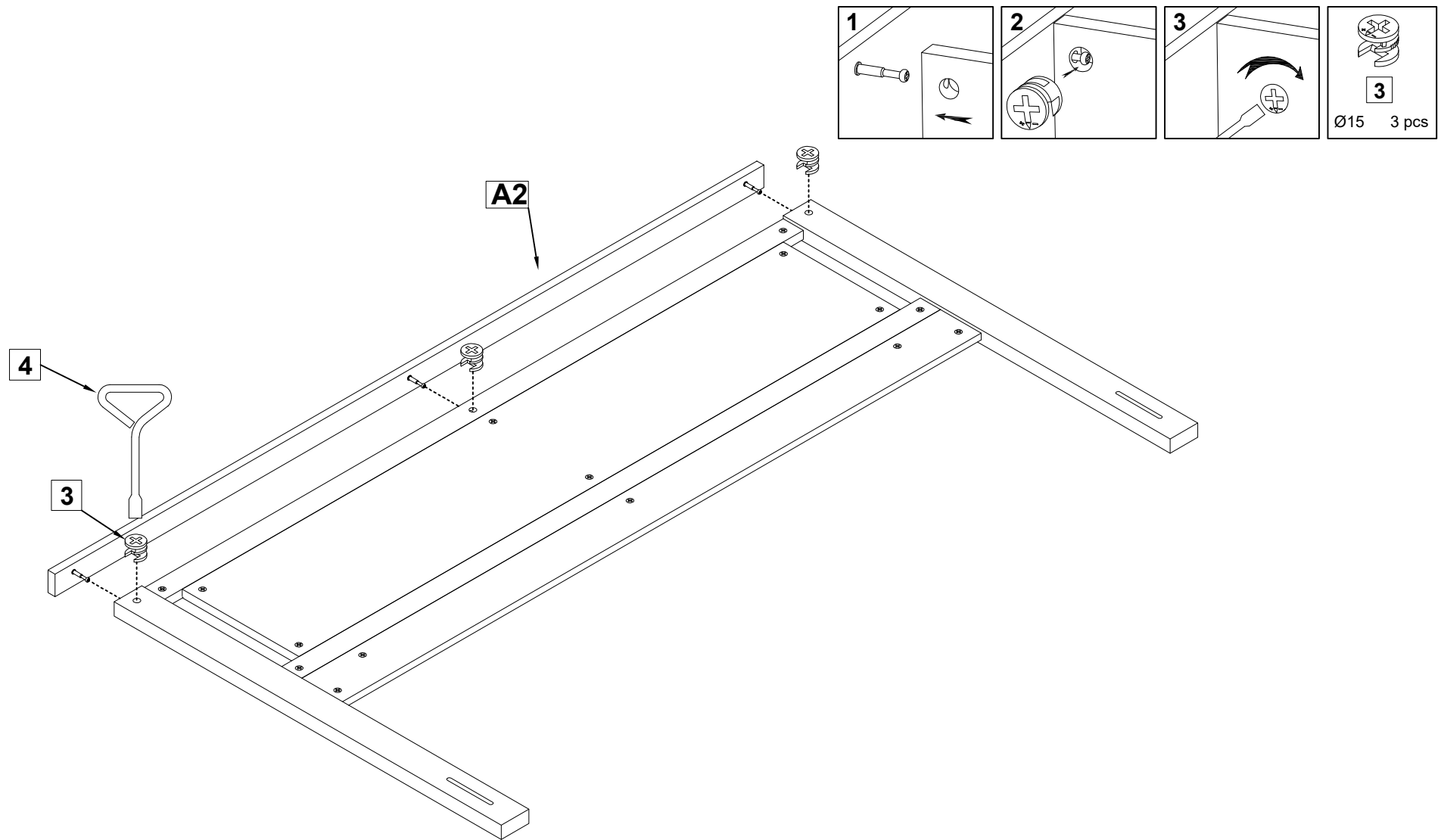
3



If you're having difficulty, our friendly Customer Care team is always here to help. Call us at 1.336.861.0604 during business hours, email [parts@comfortpointe.com](mailto:parts@comfortpointe.com).

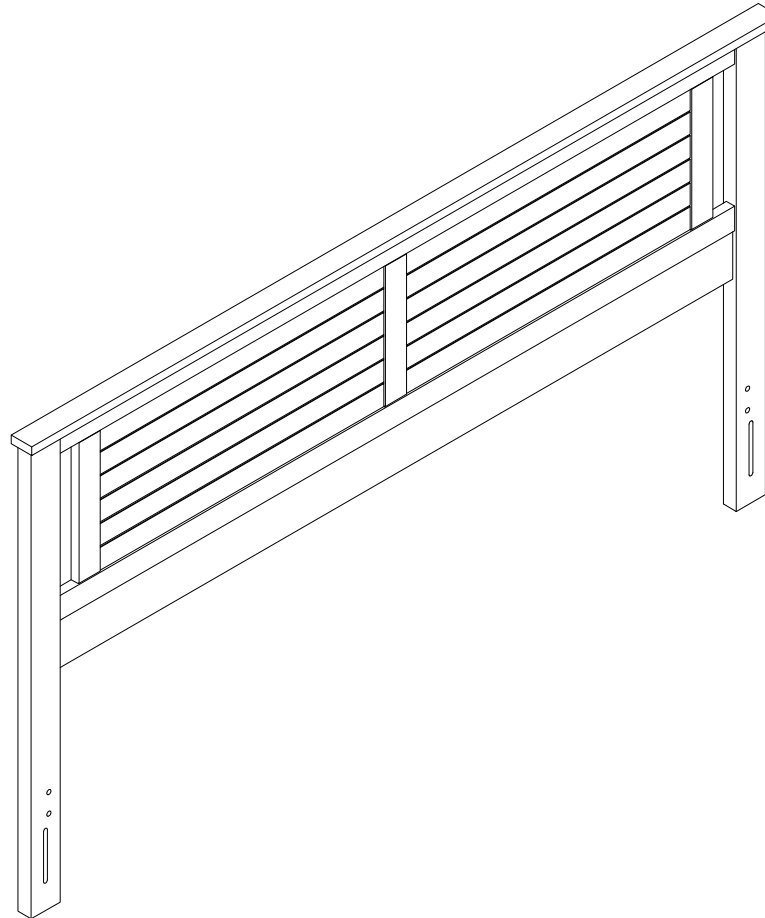
# 52057 QUEEN HEADBOARD

4



If you're having difficulty, our friendly Customer Care team is always here to help. Call us at 1.336.861.0604 during business hours, email [parts@comfortpointe.com](mailto:parts@comfortpointe.com).

5



Attach the frame to the headboard using the long slots located on the lower portion of the legs of the headboard (hardware not included), these are designed to accommodate varying height bed frames. The holes with inserts are used with the bed frame that We produce for the headboard only.

#### Hardware/Assembly Tips:

With the headboard in position to be mounted to the frame, measure the length from the back of the headboard to the inside of the bedframe, allow enough additional length to add a couple of washers and a nut to secure the headboard to the frame.