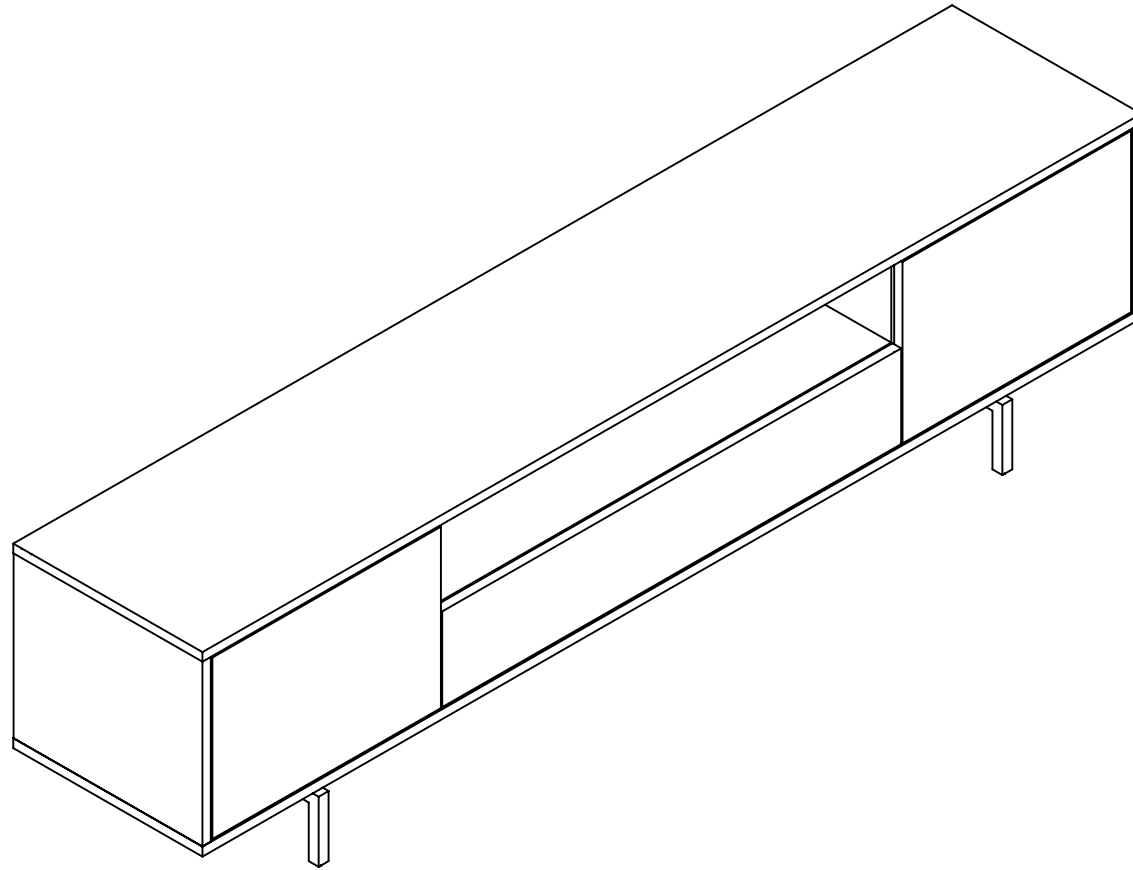


# ASSEMBLY INSTRUCTIONS:

## 720375-20 TV CONSOLE



If you're having difficulty, our friendly Customer Care team is always here to help. Call us at 1.336.861.0604 during business hours, email [parts@comfortpointe.com](mailto:parts@comfortpointe.com).

## ASSEMBLY INSTRUCTIONS

Read these instructions carefully and keep for future reference. Refer to parts inventory for guidance, and ensure you have all pieces before starting.

When assembling, place all parts on a soft, clean, and flat surface such as a carpet to prevent scratches.

**If you're having difficulty, our friendly Customer Care team is always here to help. Call us at 1.336.861.0604 during business hours, email [parts@comfortpointe.com](mailto:parts@comfortpointe.com).**

Attention : Veuillez Lire Toutes Les Instructions Avant De Commencer L'assemblage De Ce Produit. Les Pièces Sont Lourdes. Pour Éviter Toute Blessure Et Pour Vous Assurer Que Le Produit N'est Pas Endommagé Pendant L'assemblage, Nous Vous Recommandons De Faire Appel À Une Ou Plusieurs Autres Personnes.

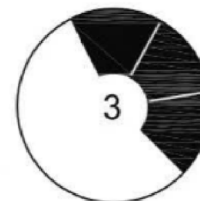
Cuidado: Favor De Leer Todas Las Instrucciones Antes De Ensamblar Su Producto. Estas Piezas Son Pesadas. Para Prevenir Heridas Personales Y Asegurar Que Su Producto No Sea Dañado Mientras Es Ensamblado, Se Recomienda La Asistencia De Una O Más Personas.



TIME



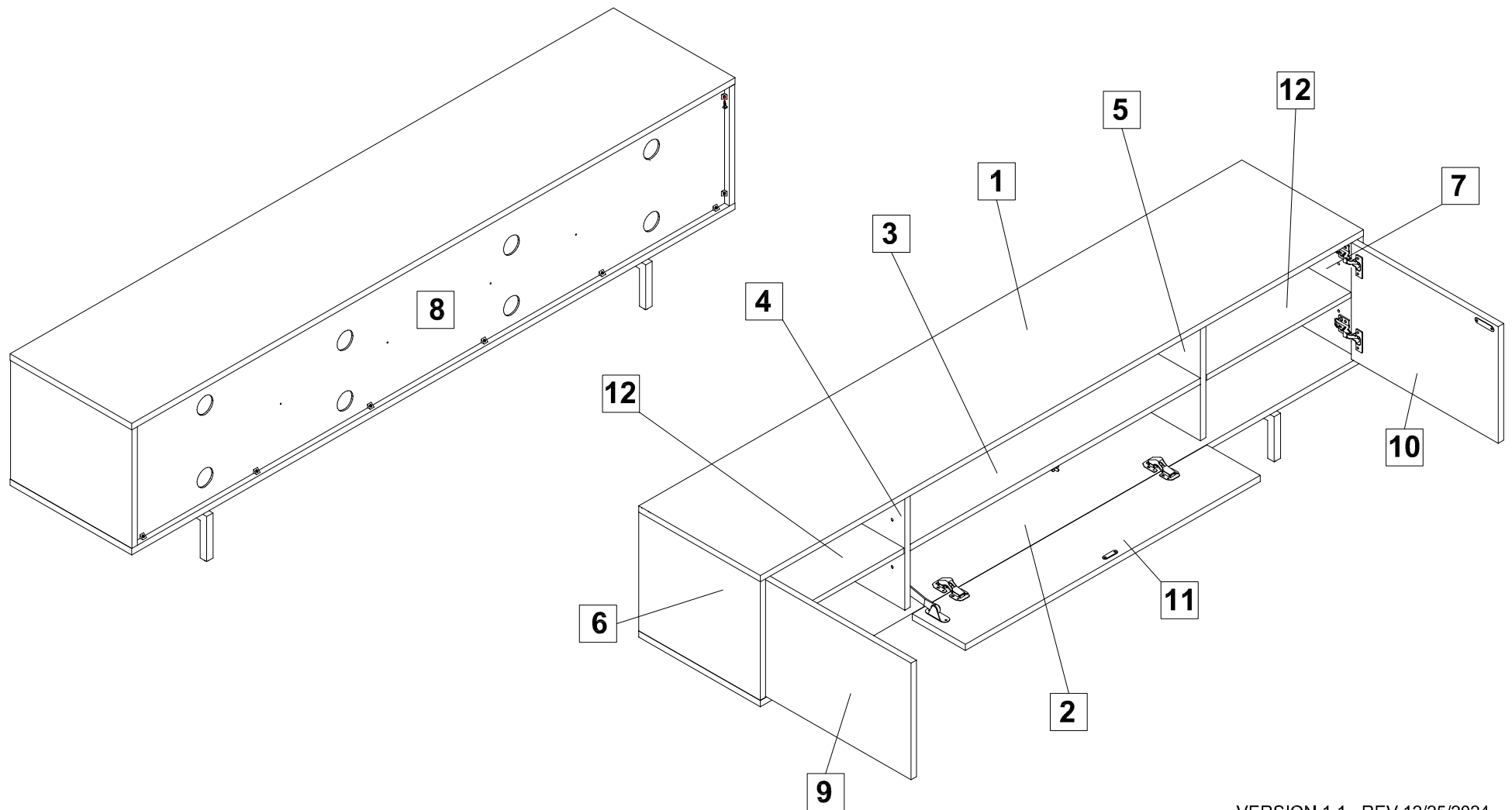
# OF PEOPLE



DIFFICULTY

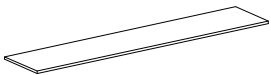






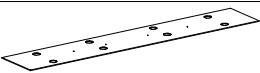




**Important: Use hand tools for assembly. Power tools can lead to over-tightening and damage.**

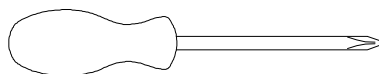
# ASSEMBLY INSTRUCTIONS: 720375-20 TV CONSOLE



# 720375-20 TV CONSOLE

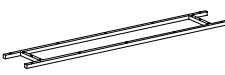
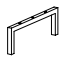



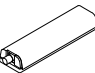








## Parts List

CODE	DESCRIPTION	QTY
<b>1</b>	Top Panel 	1 pc
<b>2</b>	Bottom Panel 	1 pc
<b>3</b>	Fixed Shelf 	1 pc
<b>4</b>	Left Inside Panel 	1 pc
<b>5</b>	Right Inside Panel 	1 pc
<b>6</b>	Left Panel 	1 pc
<b>7</b>	Right Panel 	1 pc
<b>8</b>	Back Panel 	1 pc
<b>9</b>	Left Side Door 	1 pc
<b>10</b>	Right Side Door 	1 pc
<b>11</b>	Center Door 	1 pc
<b>12</b>	Adjustable Shelf 	2 pcs



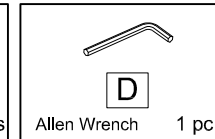
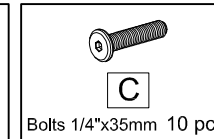
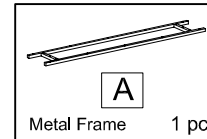
**Assembly Tools Required (Not Included)**

## Hardware List

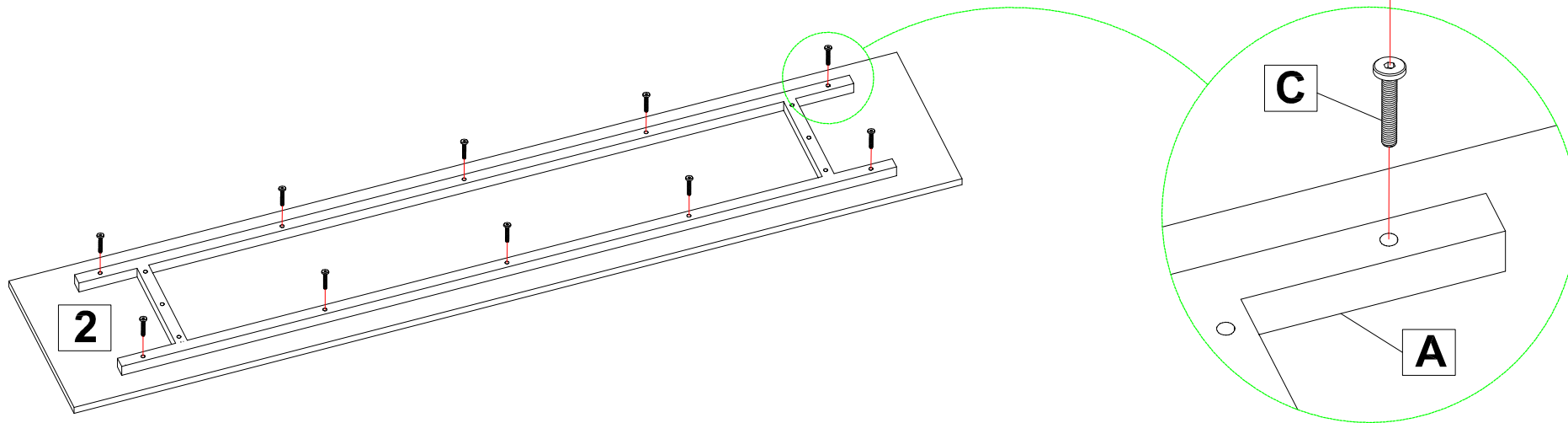
CODE	DESCRIPTION	QTY
<b>A</b>	Metal Frame 	1 pc
<b>B</b>	Metal Legs 	2 pcs
<b>C</b>	Hex-Head bolts 1/4"x35mm 	10 pcs
<b>D</b>	Allen Wrench 	1 pc
<b>E</b>	Hex-Head bolts 1/4"x60mm 	6 pcs
<b>F</b>	Magnetic catcher 	3 pcs
<b>G</b>	Wood Screws M4x15mm 	56 pcs
<b>H</b>	Wood Screws M3.5x20mm 	16 pcs
<b>I</b>	Plastic Wedges 	12 pcs
<b>J</b>	Shelf Pin 9mm 	8 pcs
<b>K</b>	Middle Door Hinge 	2 pcs
<b>L</b>	Side Door Hinge 	4 pcs
<b>M</b>	Support Arm 	1 pc
<b>N</b>	Anti-Tipping Kit 	2 pcs

# 720375-20 TV CONSOLE

1



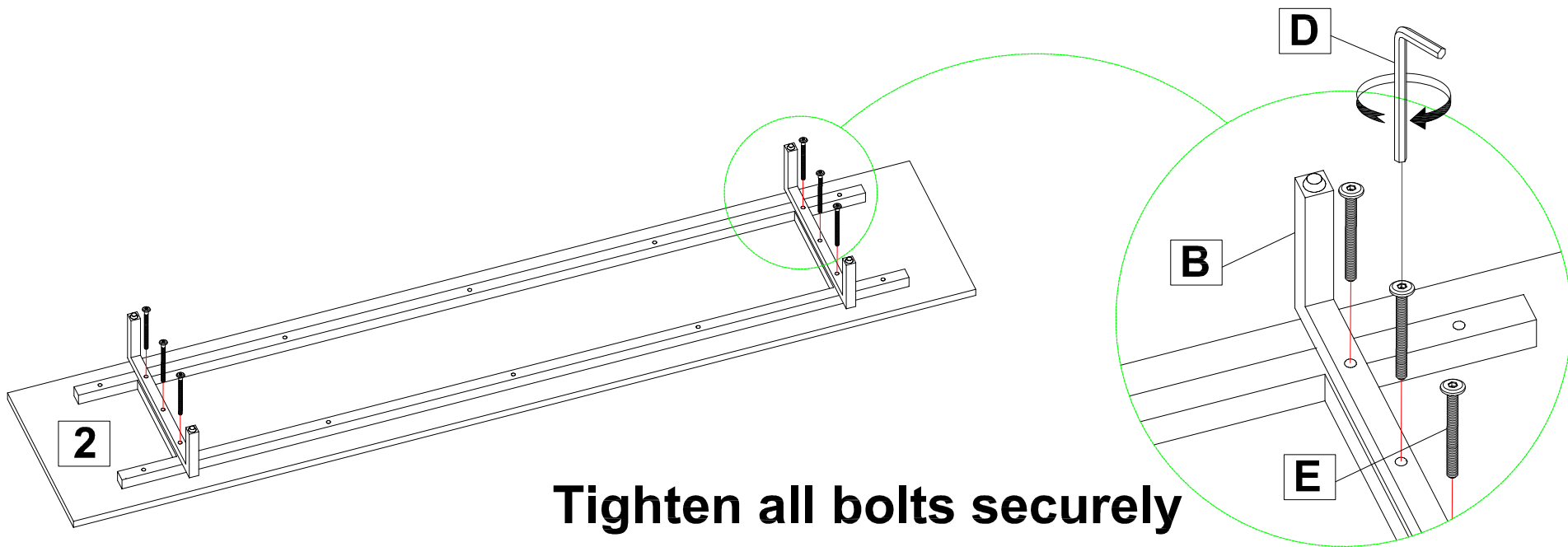
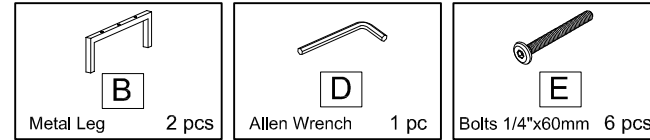
**Please do not tighten the bolts until all the bolts are lined with holes**



If you're having difficulty, our friendly Customer Care team is always here to help. Call us at 1.336.861.0604 during business hours, email [parts@comfortpointe.com](mailto:parts@comfortpointe.com).

# 720375-20 TV CONSOLE

2

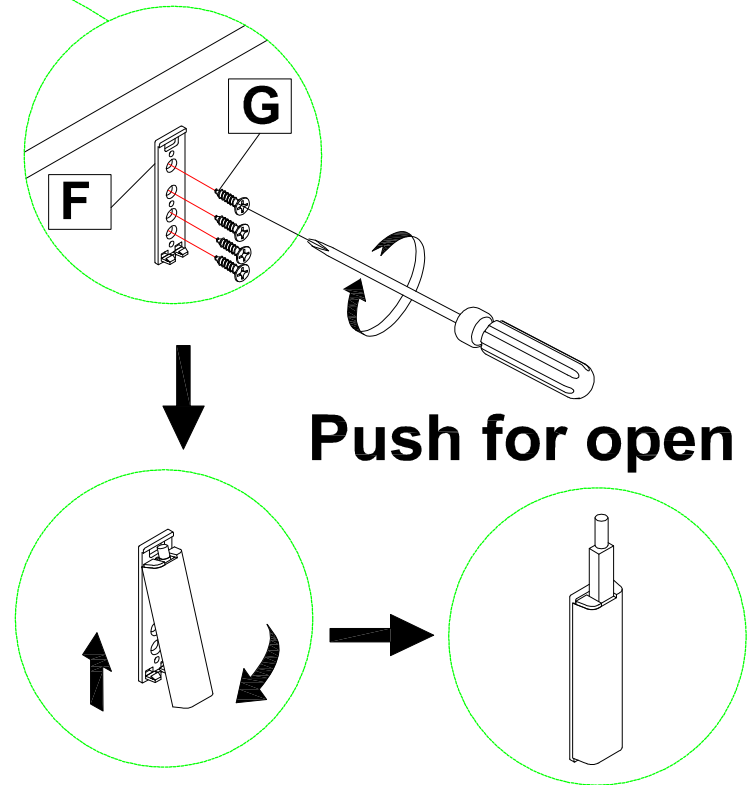
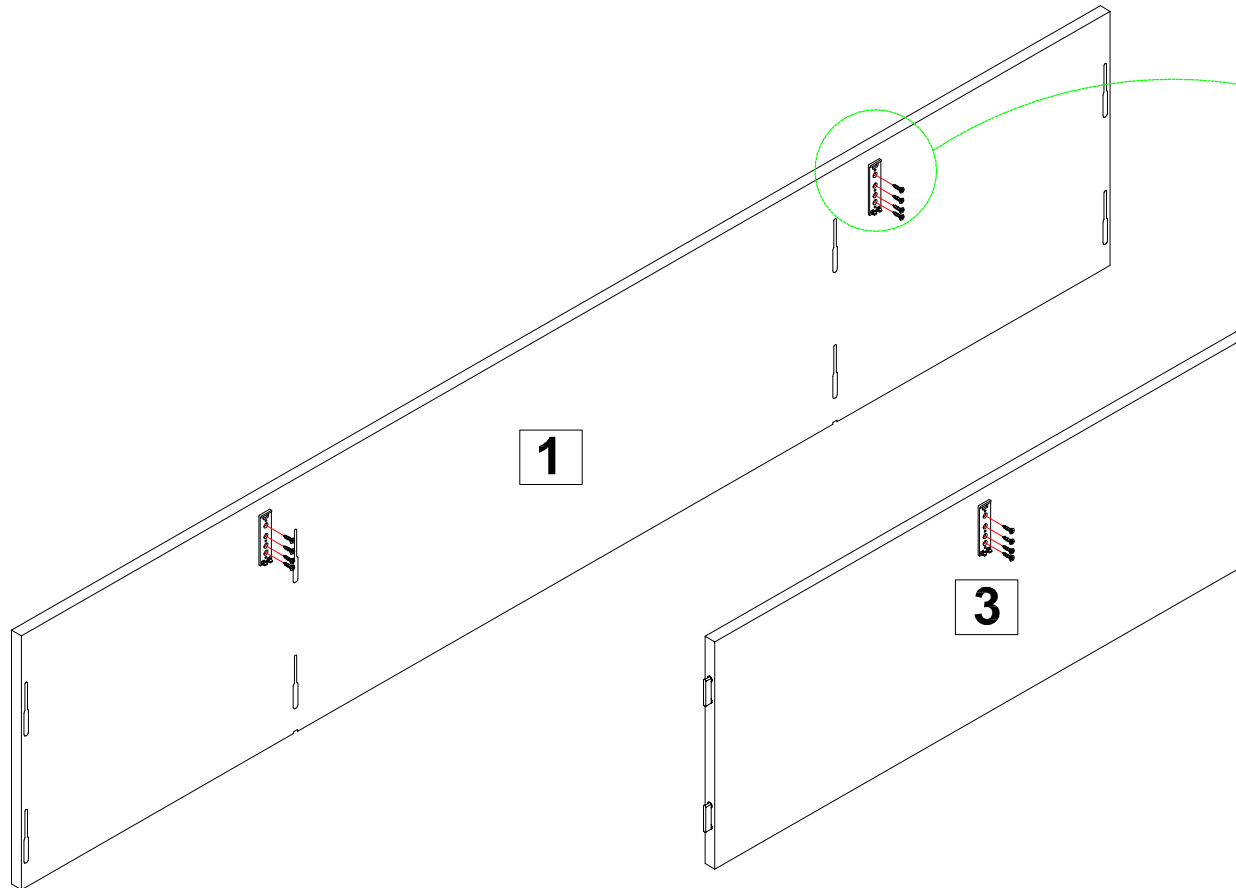
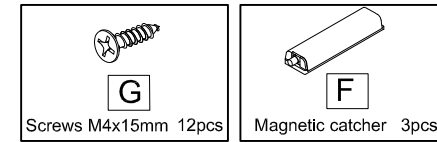


**Tighten all bolts securely**

If you're having difficulty, our friendly Customer Care team is always here to help. Call us at 1.336.861.0604 during business hours, email [parts@comfortpointe.com](mailto:parts@comfortpointe.com).

# 720375-20 TV CONSOLE

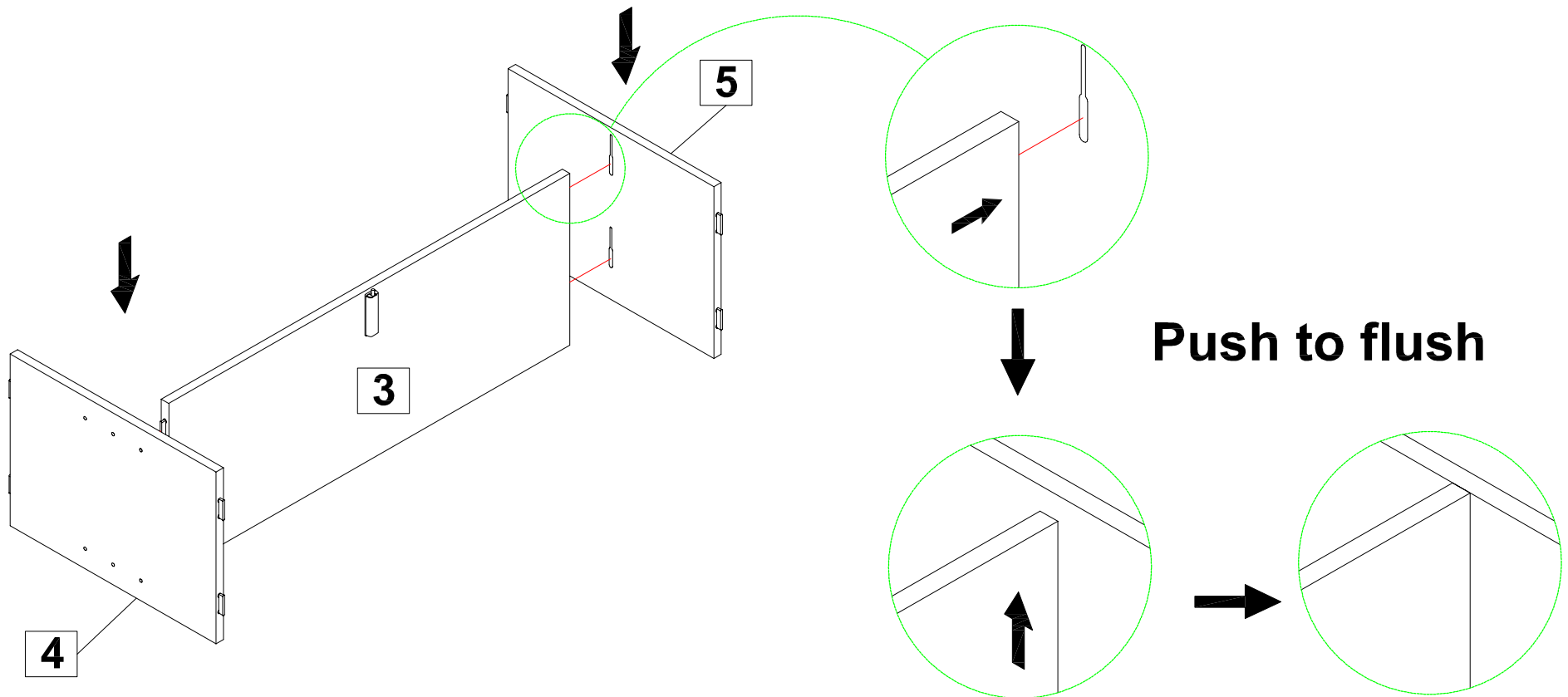
3



If you're having difficulty, our friendly Customer Care team is always here to help. Call us at 1.336.861.0604 during business hours, email [parts@comfortpointe.com](mailto:parts@comfortpointe.com).

# 720375-20 TV CONSOLE

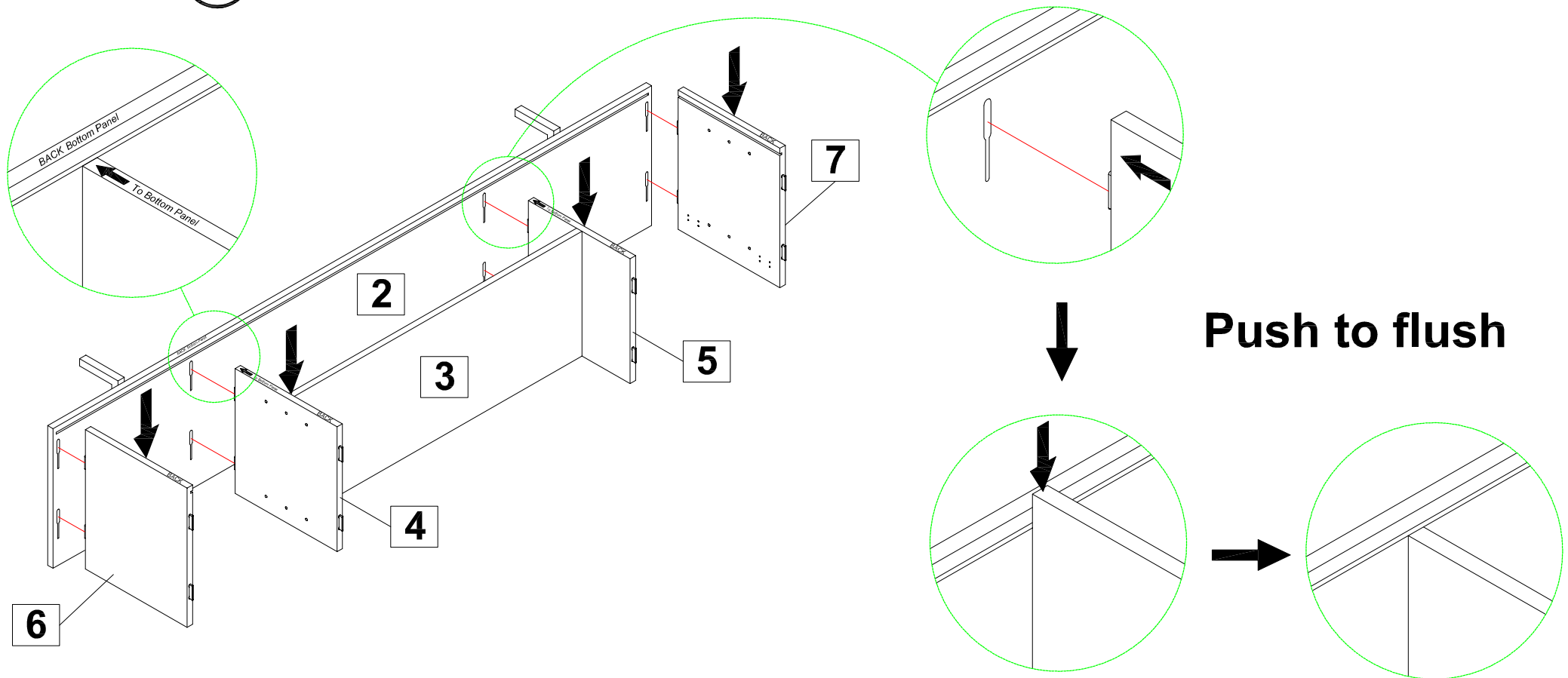
4



If you're having difficulty, our friendly Customer Care team is always here to help. Call us at 1.336.861.0604 during business hours, email [parts@comfortpointe.com](mailto:parts@comfortpointe.com).

# 720375-20 TV CONSOLE

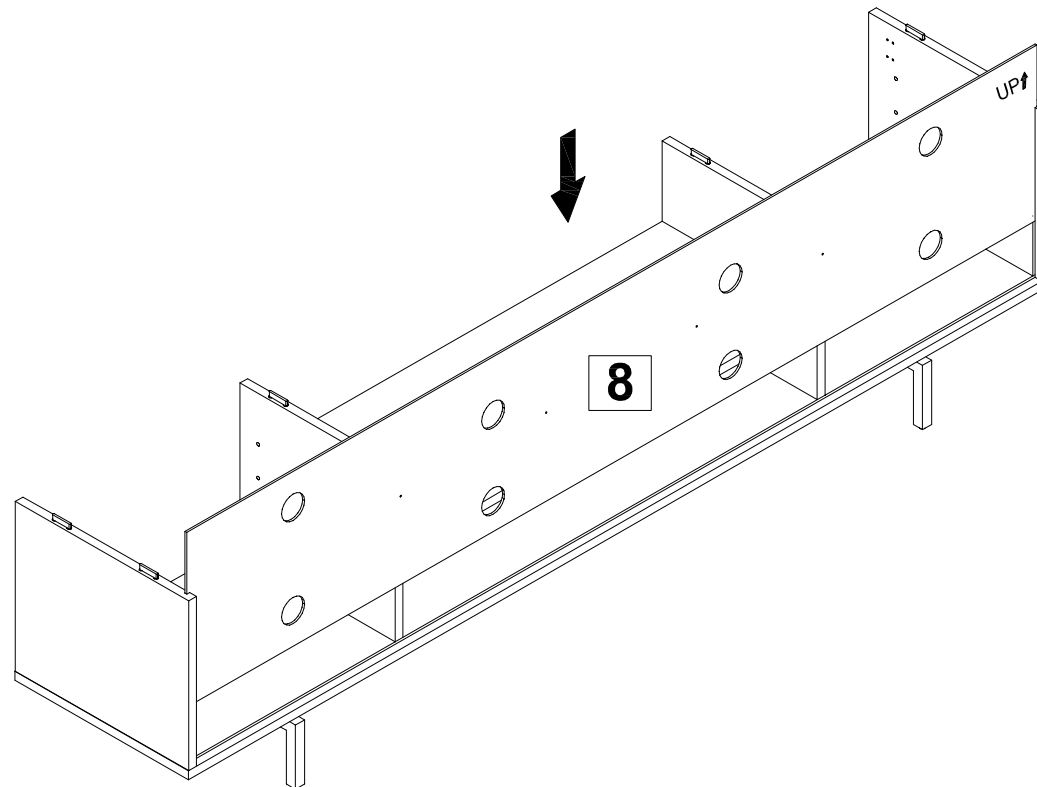
5



If you're having difficulty, our friendly Customer Care team is always here to help. Call us at 1.336.861.0604 during business hours, email [parts@comfortpointe.com](mailto:parts@comfortpointe.com).

# 720375-20 TV CONSOLE

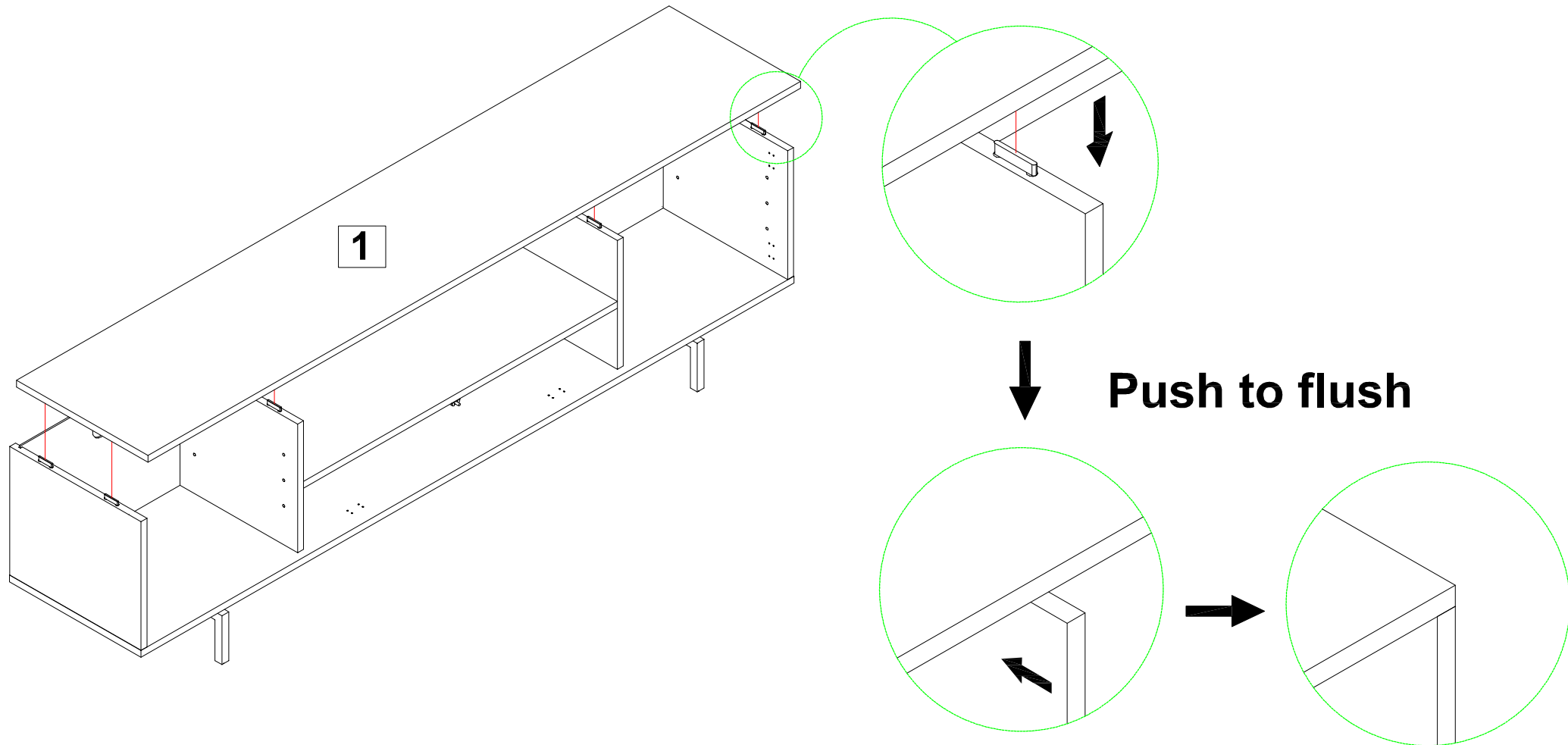
6



If you're having difficulty, our friendly Customer Care team is always here to help. Call us at 1.336.861.0604 during business hours, email [parts@comfortpointe.com](mailto:parts@comfortpointe.com).

# 720375-20 TV CONSOLE

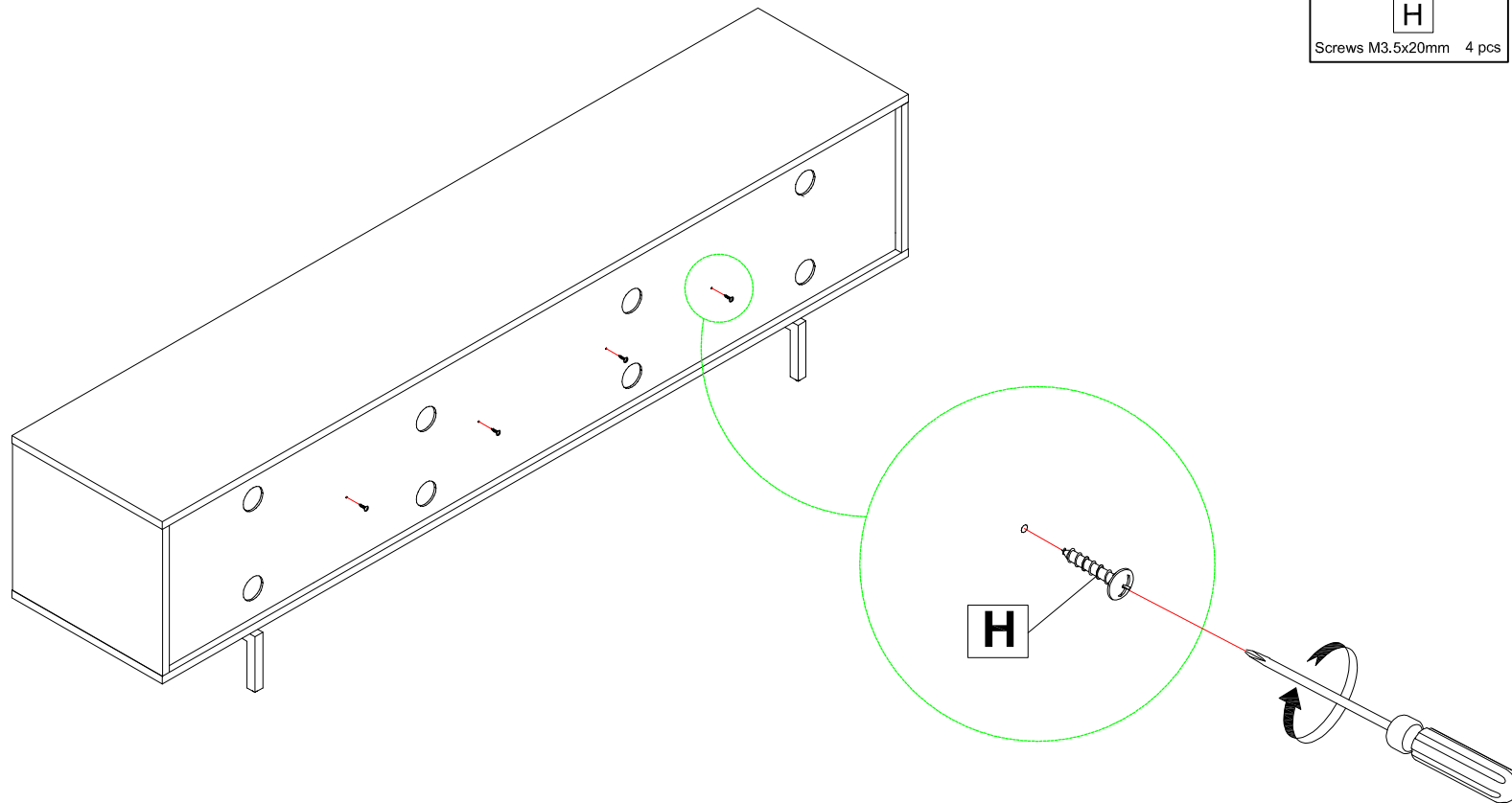
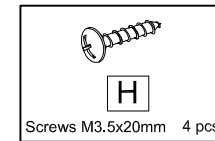
7



If you're having difficulty, our friendly Customer Care team is always here to help. Call us at 1.336.861.0604 during business hours, email [parts@comfortpointe.com](mailto:parts@comfortpointe.com).

# 720375-20 TV CONSOLE

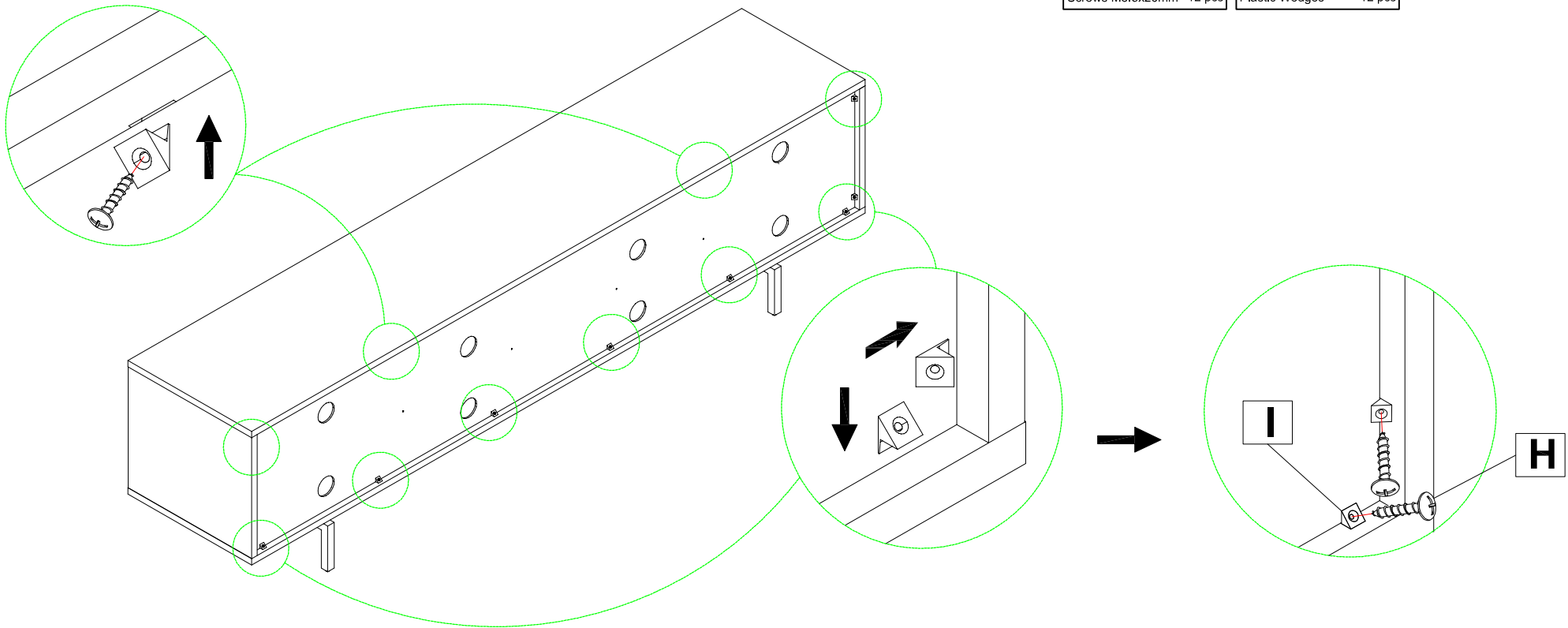
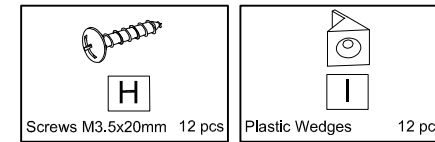
8



If you're having difficulty, our friendly Customer Care team is always here to help. Call us at 1.336.861.0604 during business hours, email [parts@comfortpointe.com](mailto:parts@comfortpointe.com).

# 720375-20 TV CONSOLE

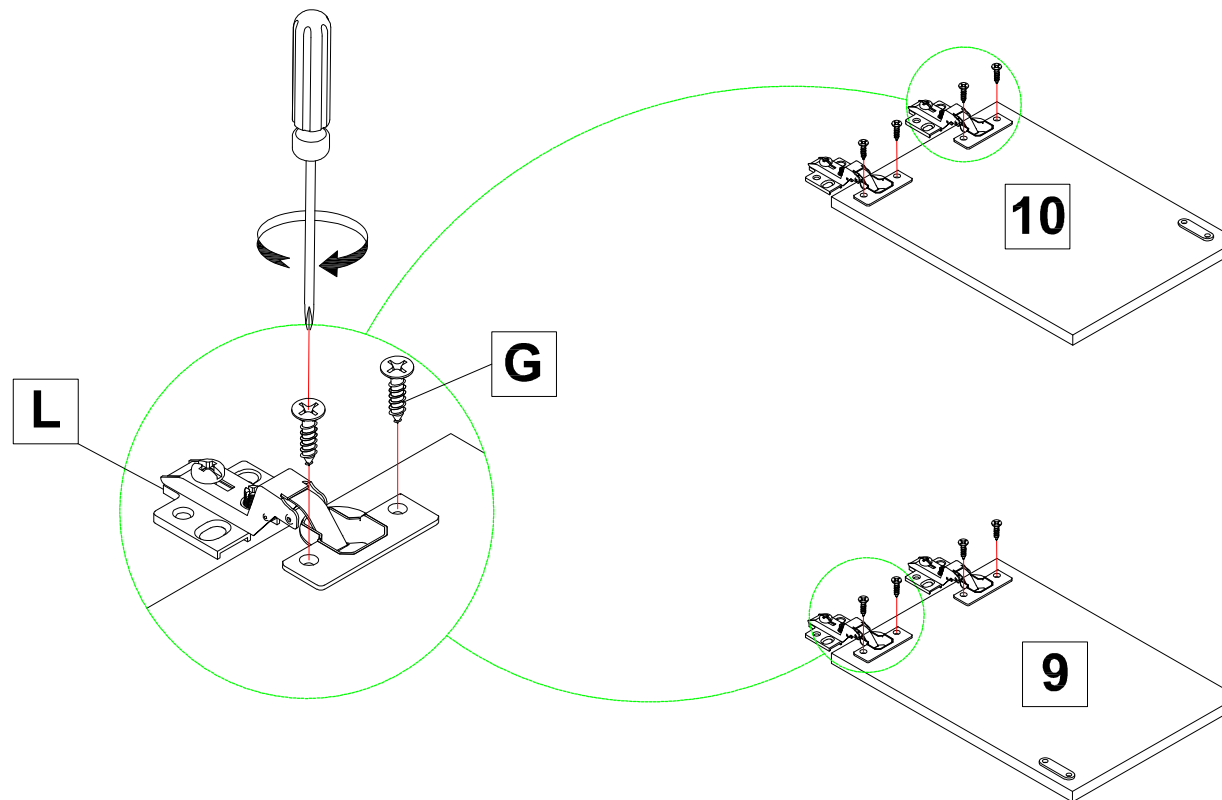
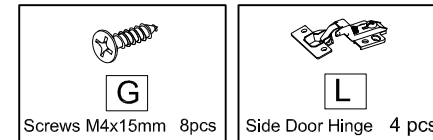
9



If you're having difficulty, our friendly Customer Care team is always here to help. Call us at 1.336.861.0604 during business hours, email [parts@comfortpointe.com](mailto:parts@comfortpointe.com).

# 720375-20 TV CONSOLE

10

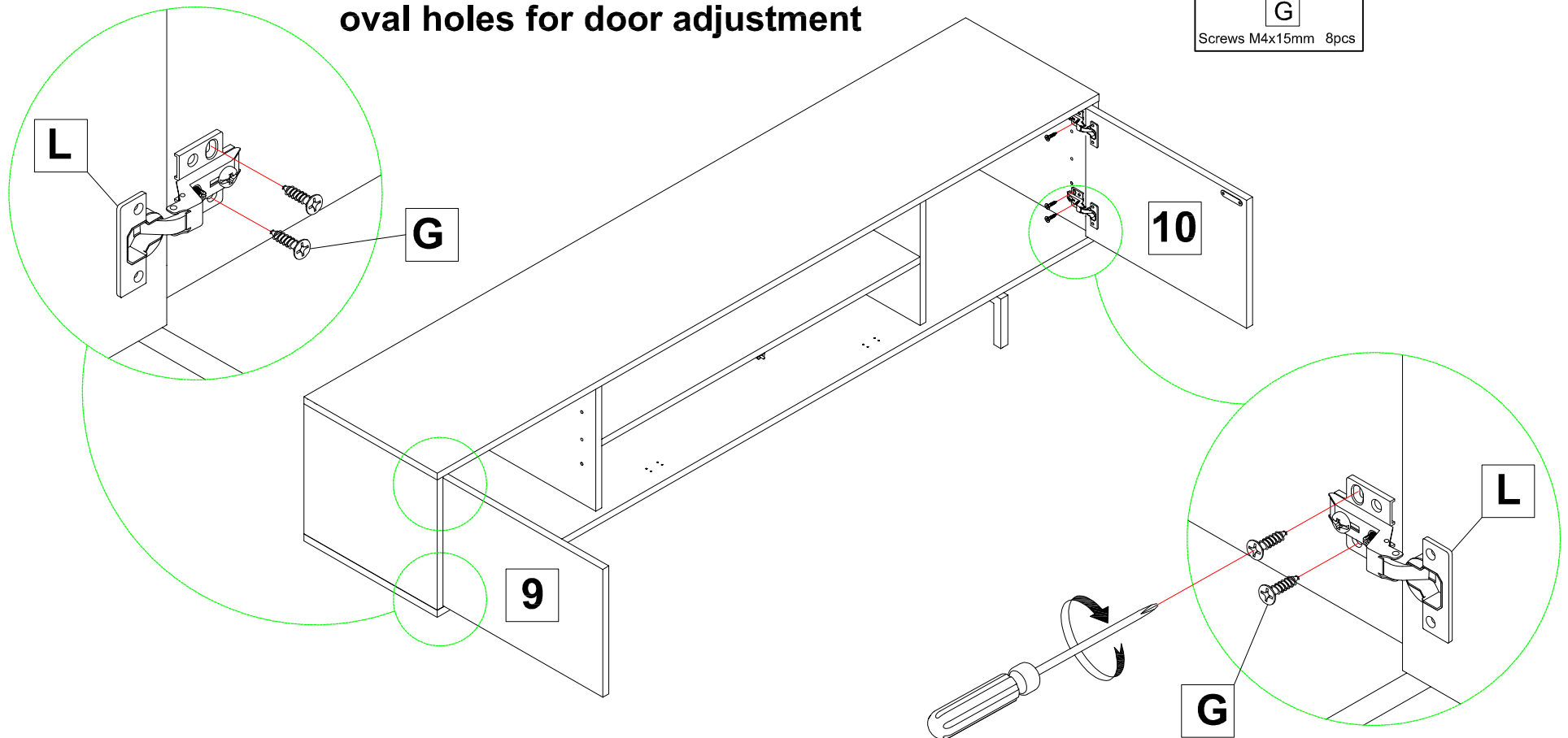
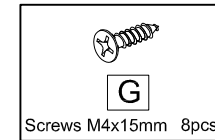


If you're having difficulty, our friendly Customer Care team is always here to help. Call us at 1.336.861.0604 during business hours, email [parts@comfortpointe.com](mailto:parts@comfortpointe.com).

# 720375-20 TV CONSOLE

11

First install hinges with 2 screws in oval holes for door adjustment

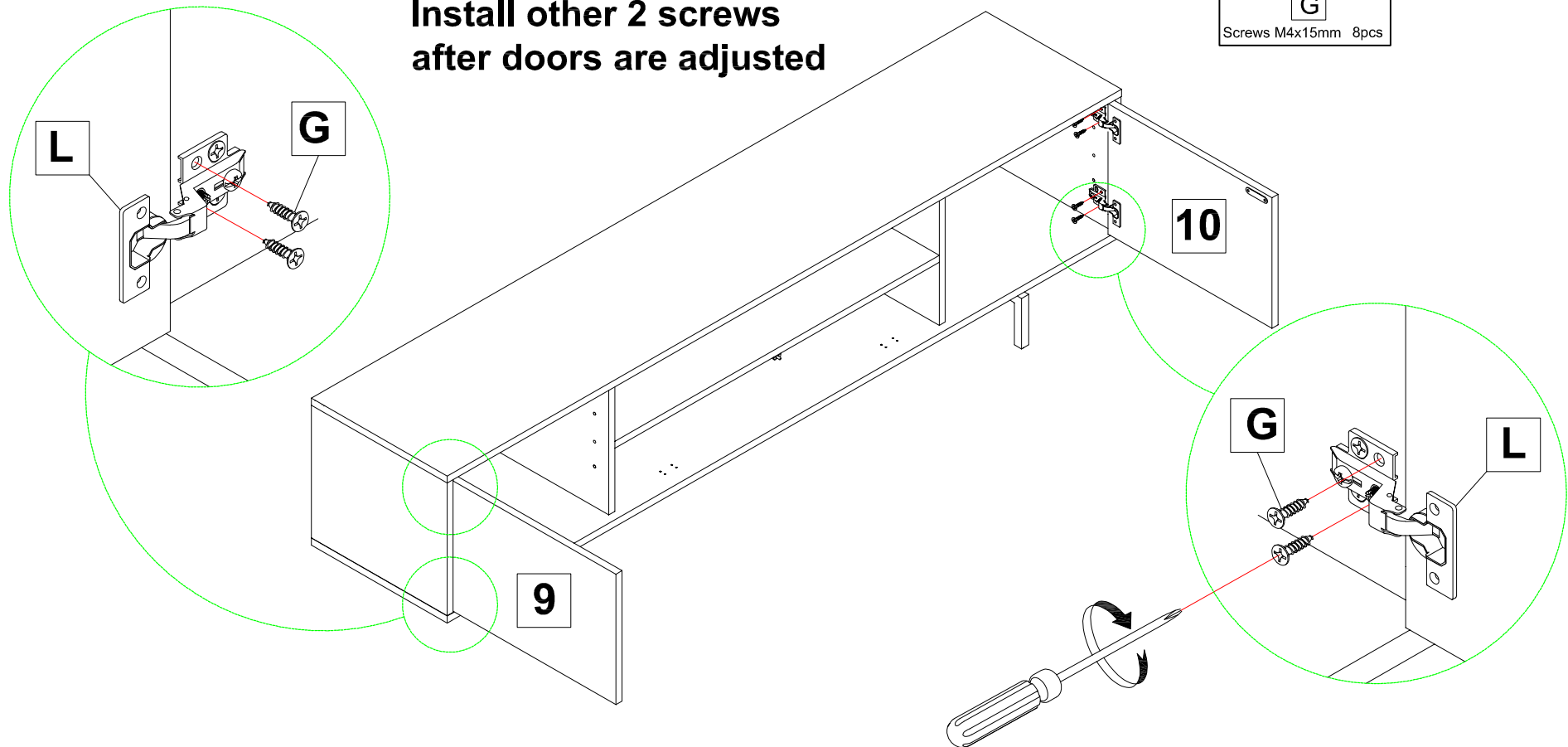
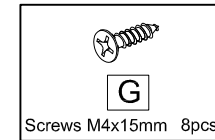


If you're having difficulty, our friendly Customer Care team is always here to help. Call us at 1.336.861.0604 during business hours, email [parts@comfortpointe.com](mailto:parts@comfortpointe.com).

# 720375-20 TV CONSOLE

12

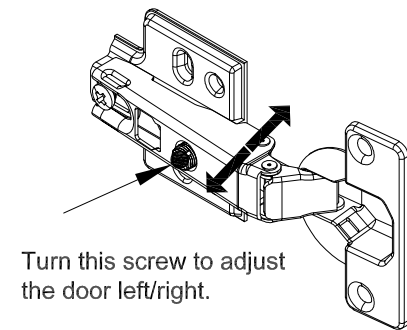
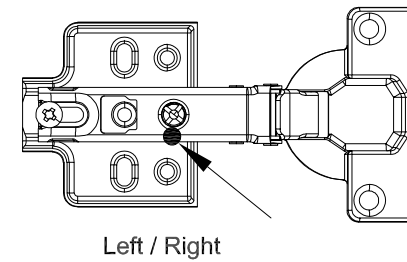
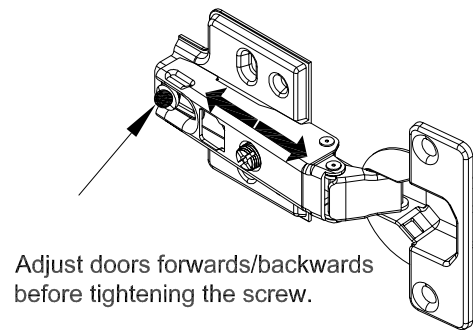
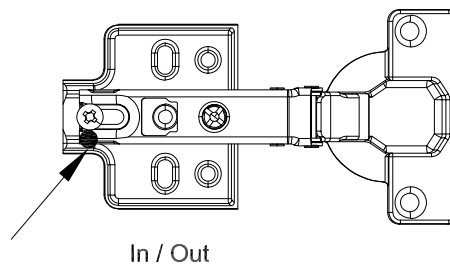
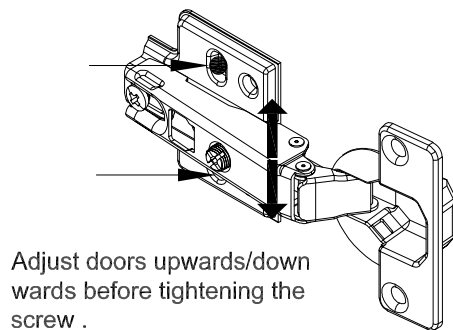
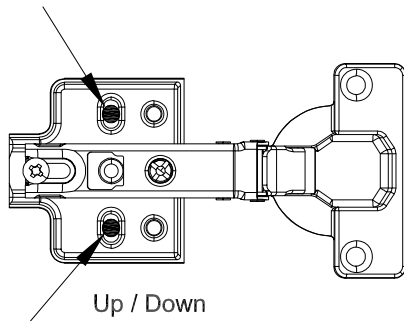
**Install other 2 screws  
after doors are adjusted**



If you're having difficulty, our friendly Customer Care team is always here to help. Call us at 1.336.861.0604 during business hours, email [parts@comfortpointe.com](mailto:parts@comfortpointe.com).

13

Our high Quality Euro hinges are 3-way adjustable:

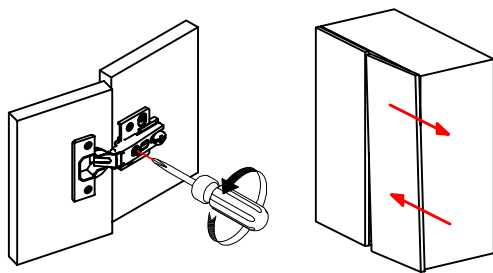


If you're having difficulty, our friendly Customer Care team is always here to help. Call us at 1.336.861.0604 during business hours, email [parts@comfortpointe.com](mailto:parts@comfortpointe.com).

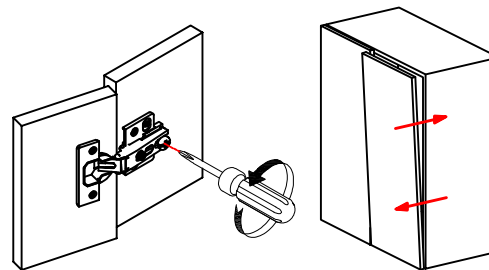
Scan the code to watch the instructional video of door adjustment

14

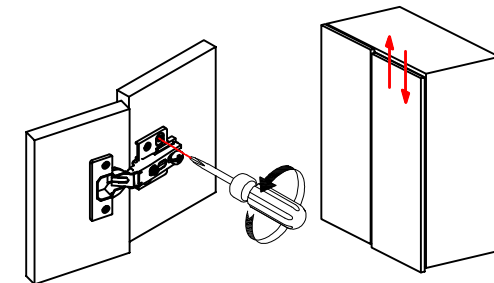
Our high Quality Euro hinges are 3-way adjustable:



Lateral Adjustment



Horizontal Adjustment






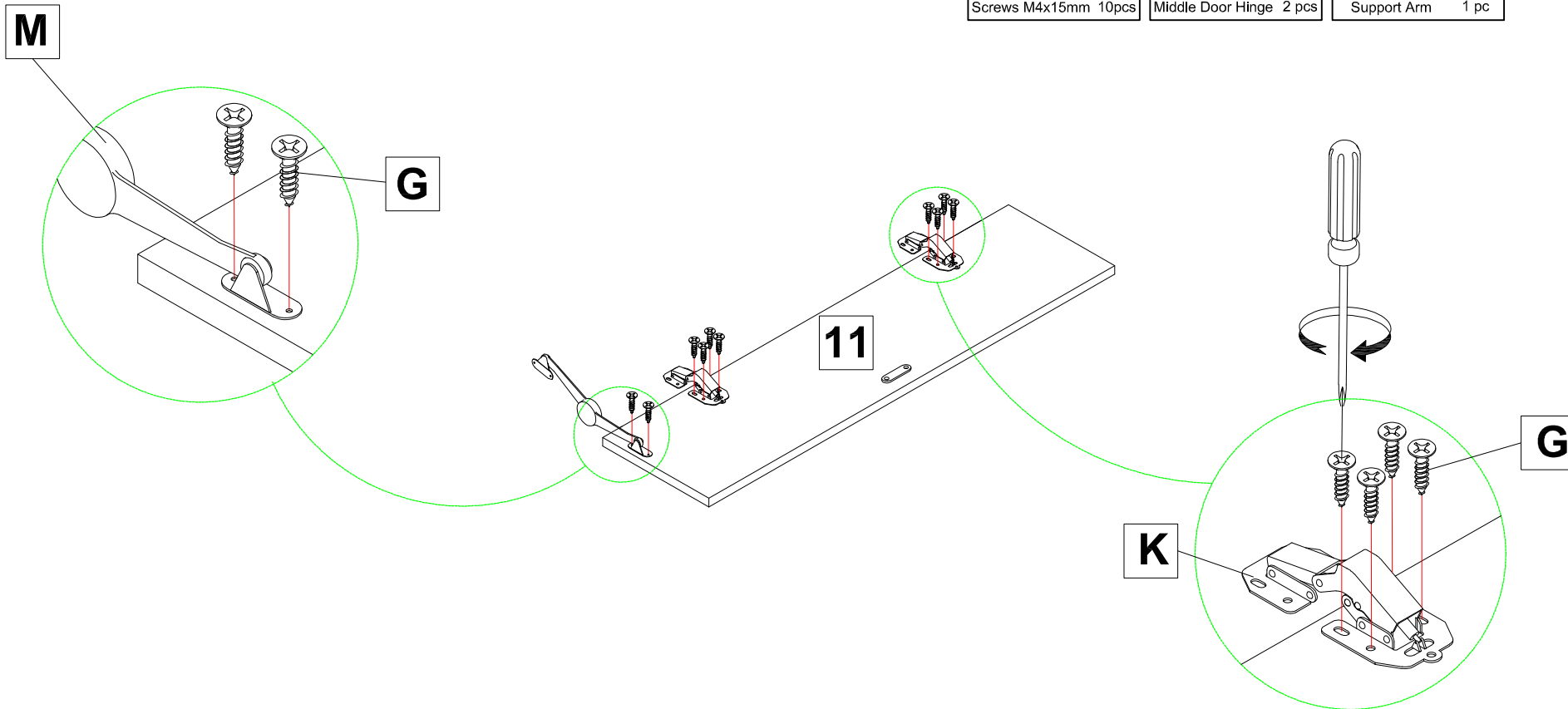
Vertical Adjustment

If you're having difficulty, our friendly Customer Care team is always here to help. Call us at 1.336.861.0604 during business hours, email [parts@comfortpointe.com](mailto:parts@comfortpointe.com).

# 720375-20 TV CONSOLE

15

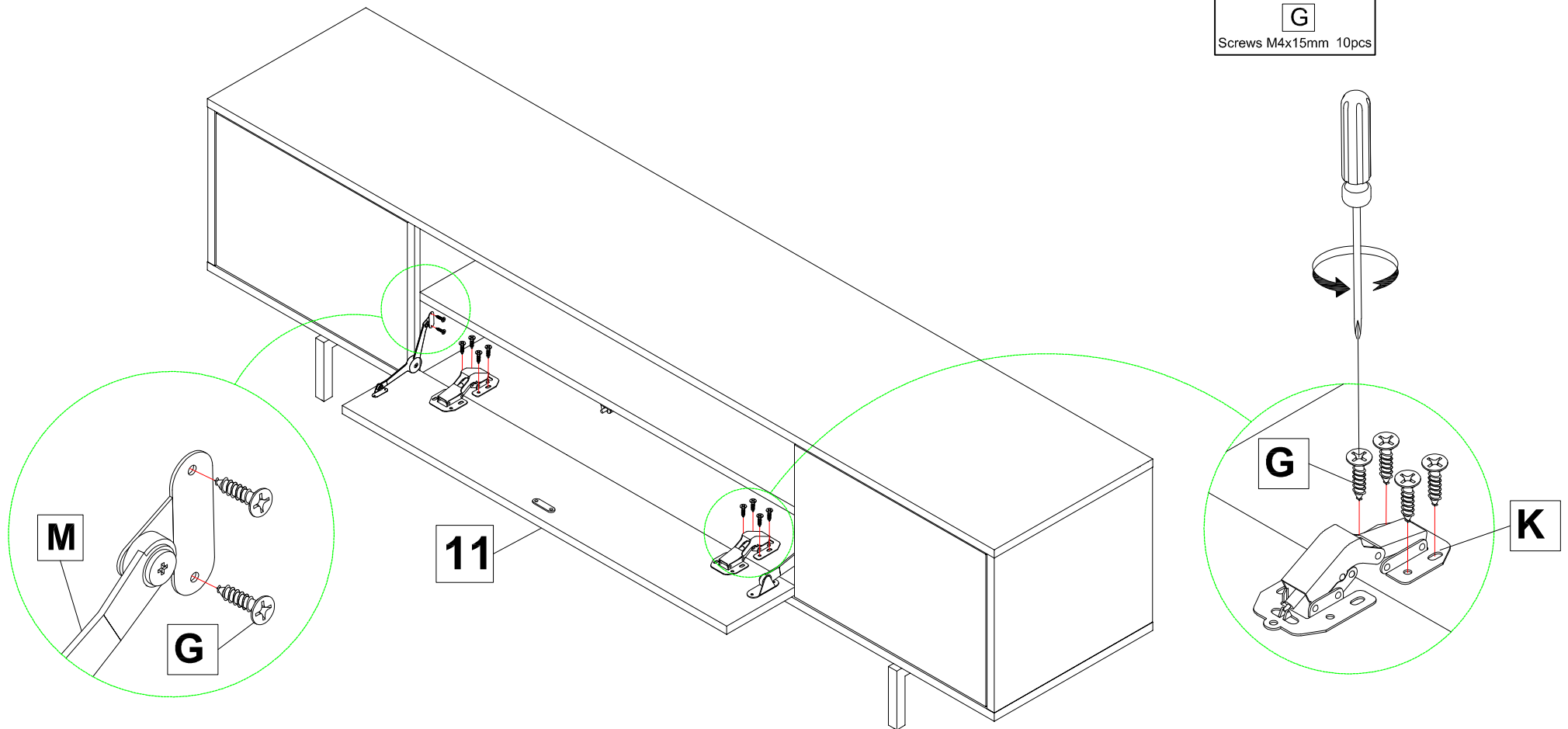
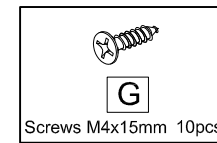
 <b>G</b> Screws M4x15mm 10pcs	 <b>K</b> Middle Door Hinge 2 pcs	 <b>M</b> Support Arm 1 pc
---	--	---



If you're having difficulty, our friendly Customer Care team is always here to help. Call us at 1.336.861.0604 during business hours, email [parts@comfortpointe.com](mailto:parts@comfortpointe.com).

# 720375-20 TV CONSOLE

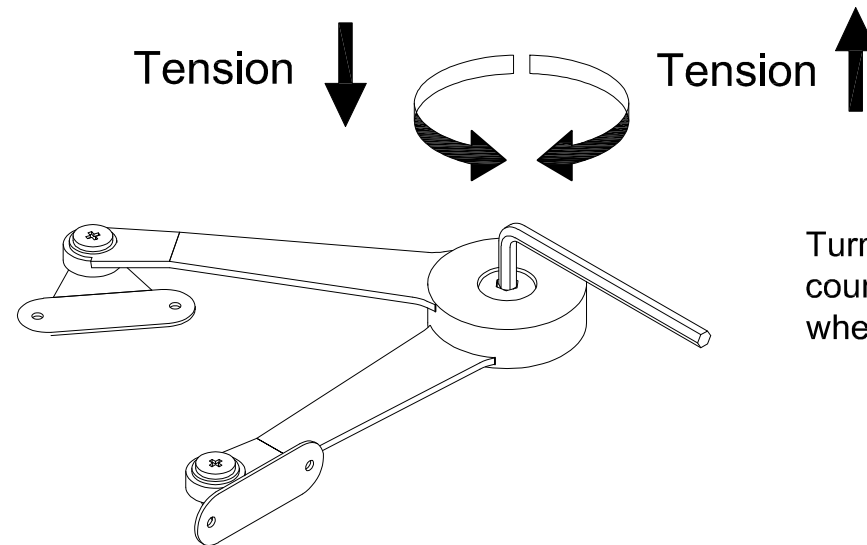
**16**



If you're having difficulty, our friendly Customer Care team is always here to help. Call us at 1.336.861.0604 during business hours, email [parts@comfortpointe.com](mailto:parts@comfortpointe.com).

17

Setting the tension by adjusting the sciew with the Allen wrench



Turn it clockwise to increase the tension, counterclockwise to decrease the tension when opening the Center Door

**Don't use lubricant**

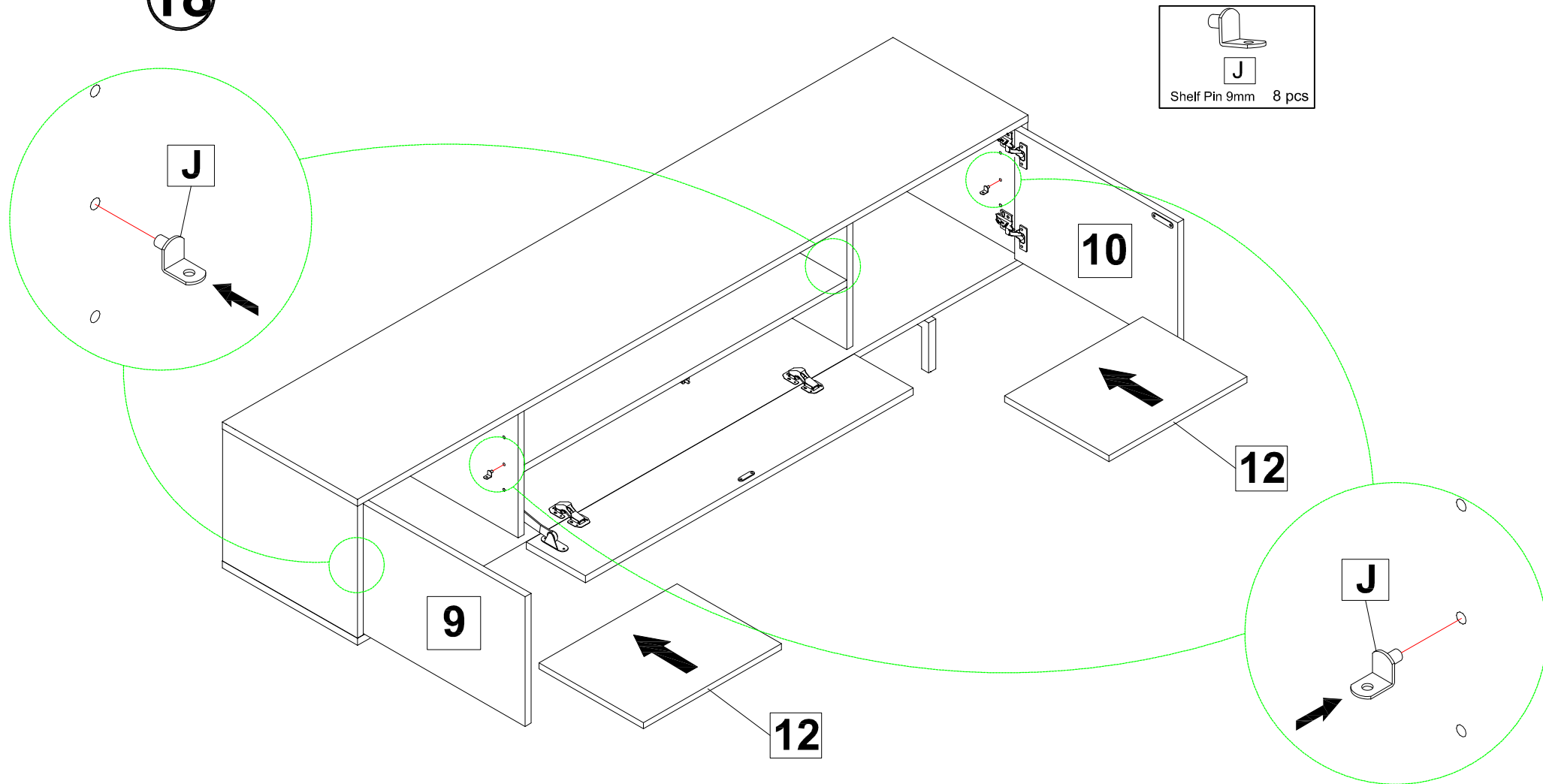


If you're having difficulty, our friendly Customer Care team is always here to help. Call us at 1.336.861.0604 during business hours, email [parts@comfortpointe.com](mailto:parts@comfortpointe.com).

Scan the code to watch the instructional video

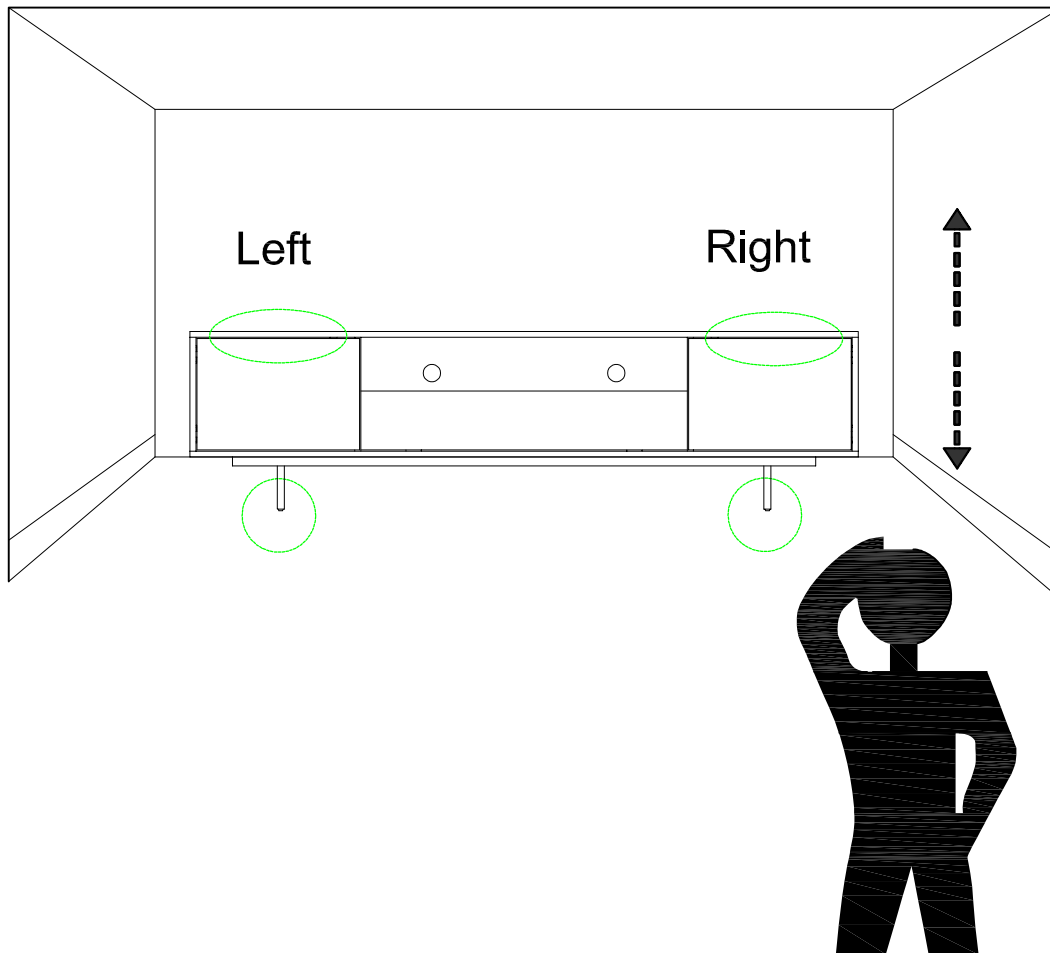
# 720375-20 TV CONSOLE

**18**



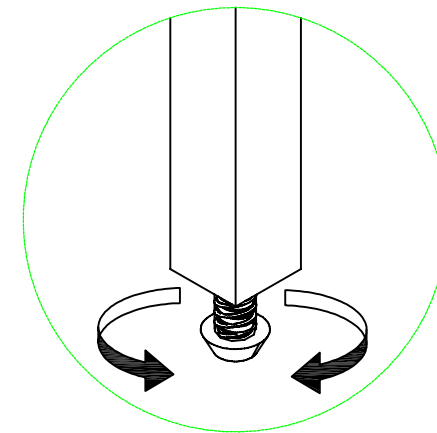
If you're having difficulty, our friendly Customer Care team is always here to help. Call us at 1.336.861.0604 during business hours, email [parts@comfortpointe.com](mailto:parts@comfortpointe.com).

19



## Adjustable Floor Leveler

Compare the gap between the Side Door and the Top Panel , if the gap on one side is larger, it means that side is lower than the other side

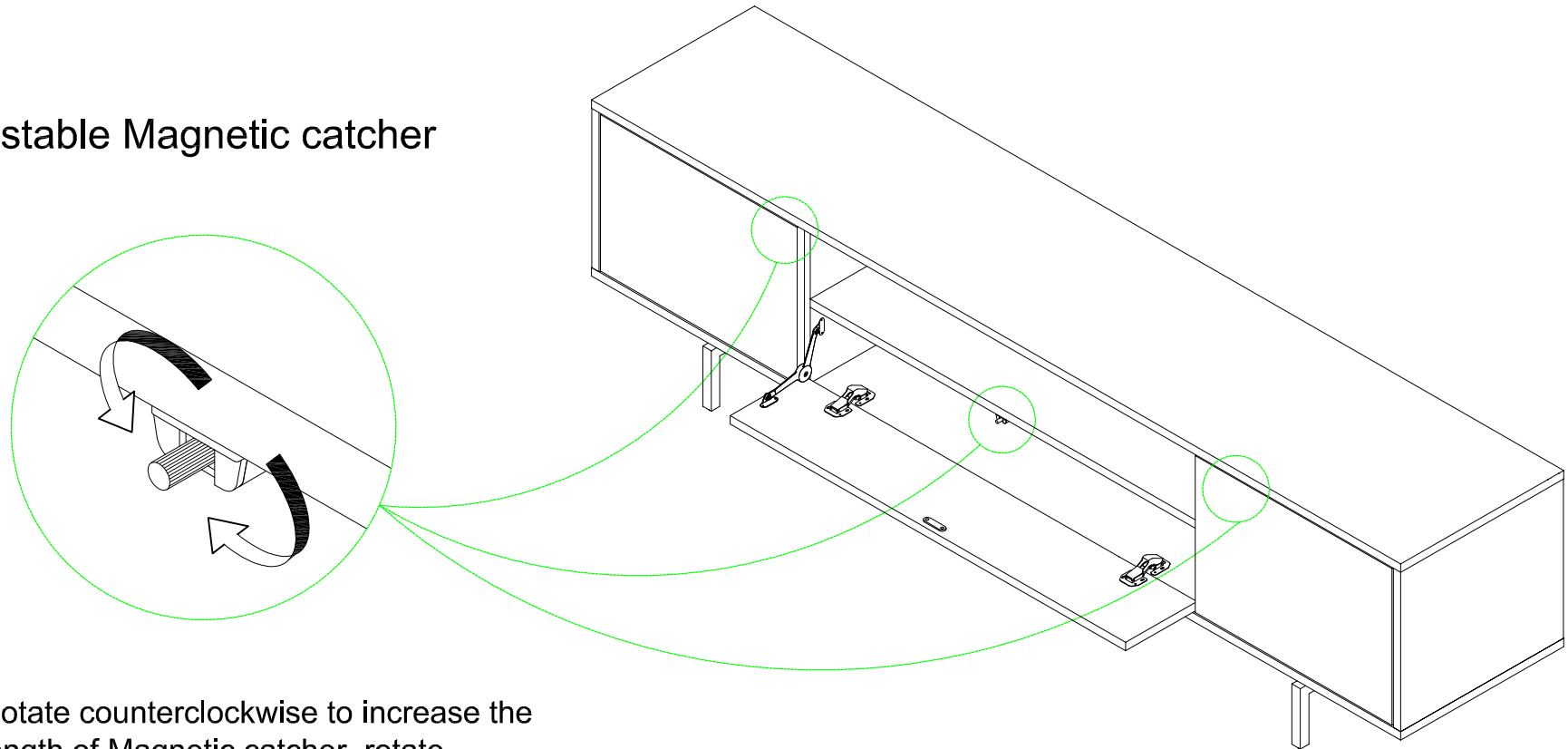


Rotate counterclockwise to increase the length of Floor Leveler, and raise that corner. Rotate clockwise to lower that corner

If you're having difficulty, our friendly Customer Care team is always here to help. Call us at 1.336.861.0604 during business hours, email [parts@comfortpointe.com](mailto:parts@comfortpointe.com).

20

## Adjustable Magnetic catcher

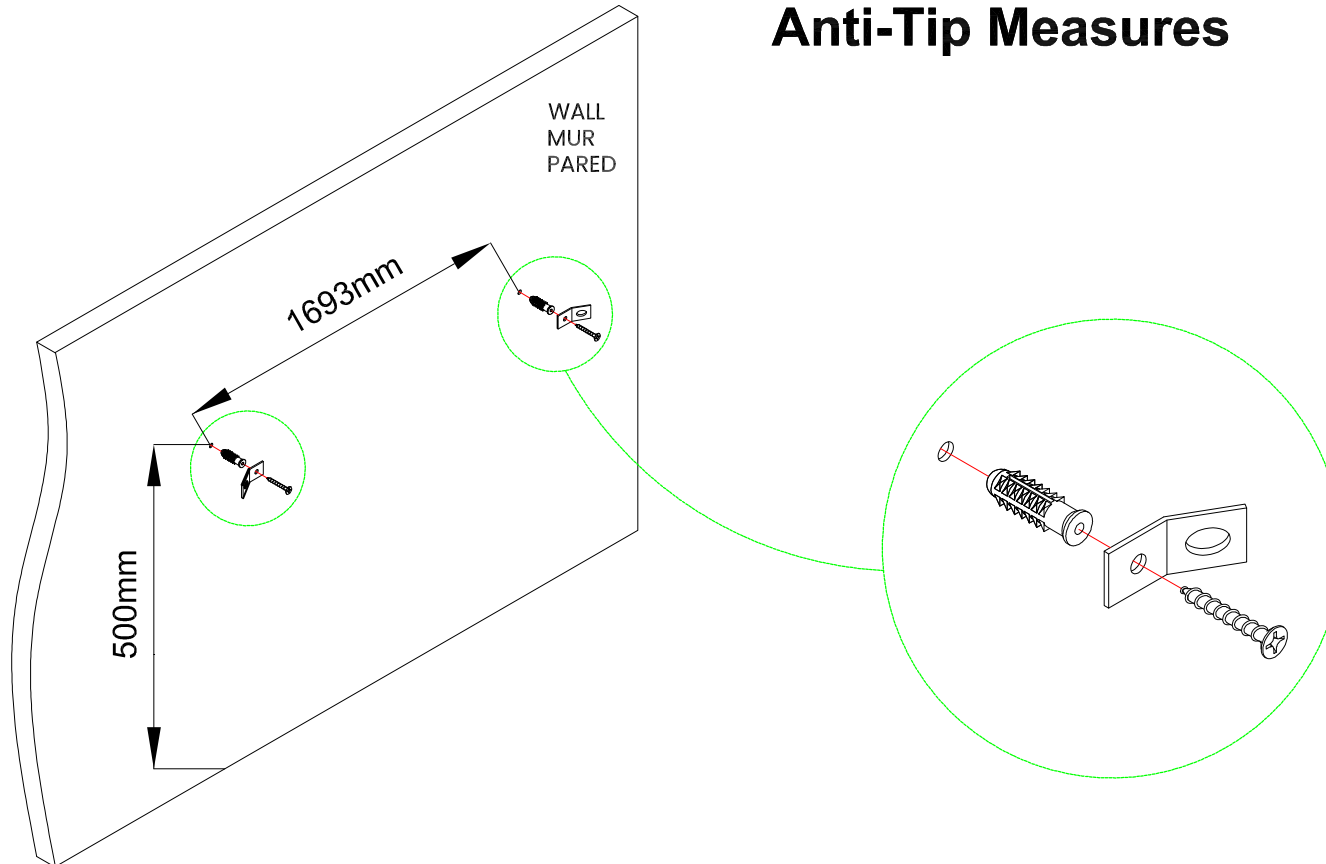


Rotate counterclockwise to increase the length of Magnetic catcher, rotate clockwise to shorten the catcher

If you're having difficulty, our friendly Customer Care team is always here to help. Call us at 1.336.861.0604 during business hours, email [parts@comfortpointe.com](mailto:parts@comfortpointe.com).

21

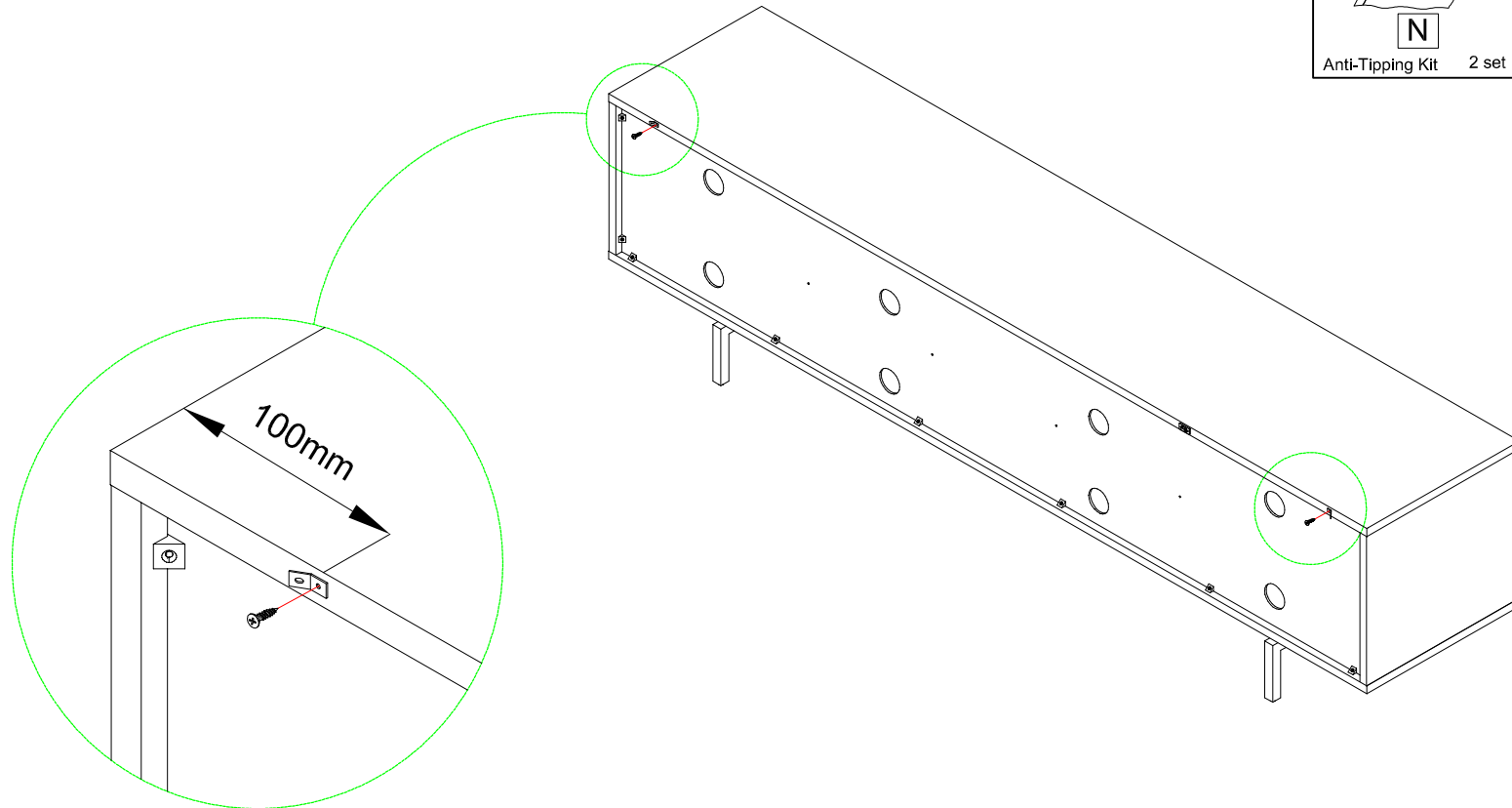
## Anti-Tip Measures



If you're having difficulty, our friendly Customer Care team is always here to help. Call us at 1.336.861.0604 during business hours, email [parts@comfortpointe.com](mailto:parts@comfortpointe.com).

# 720375-20 TV CONSOLE

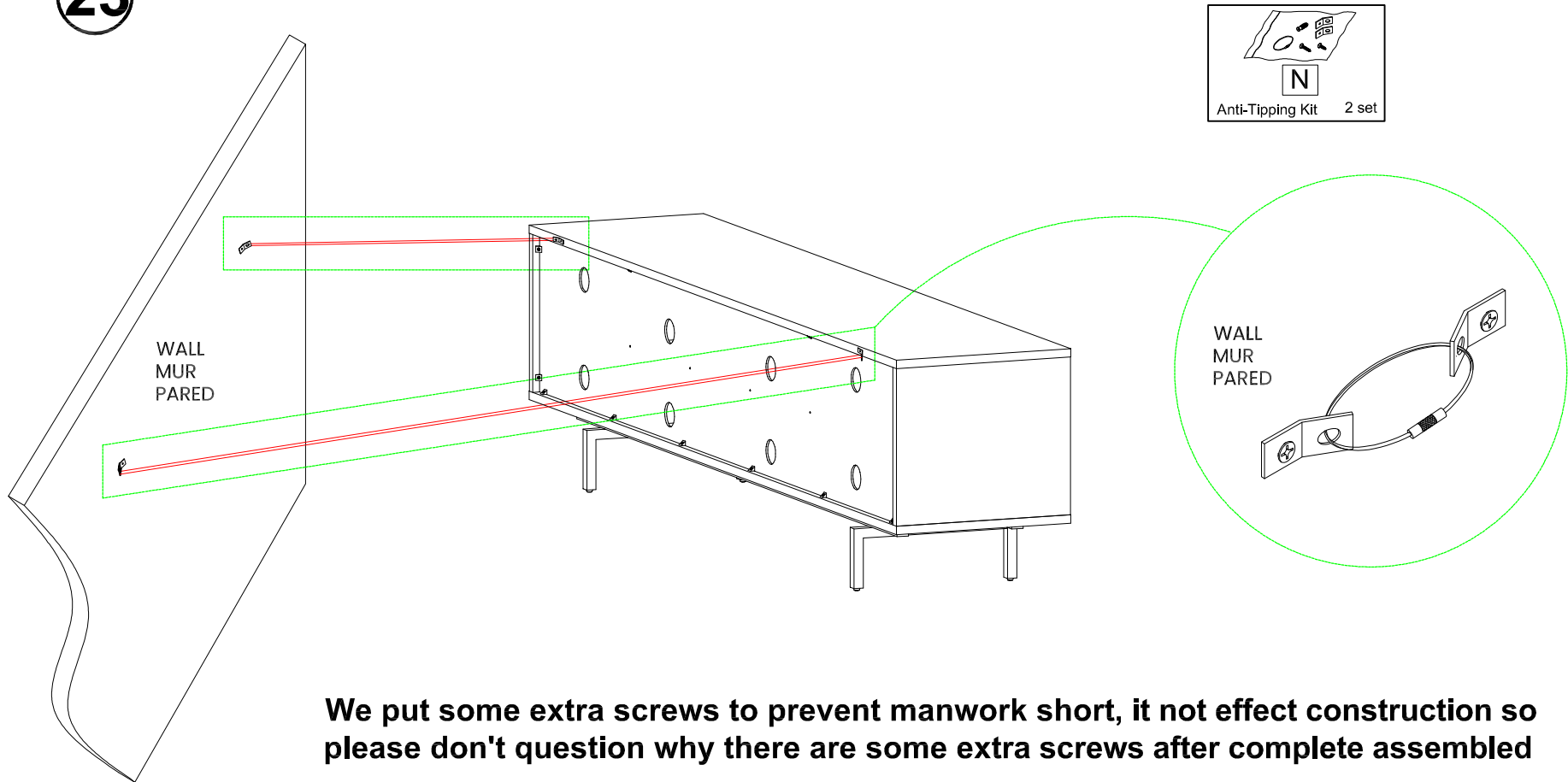
22



If you're having difficulty, our friendly Customer Care team is always here to help. Call us at 1.336.861.0604 during business hours, email [parts@comfortpointe.com](mailto:parts@comfortpointe.com).

# 720375-20 TV CONSOLE

23



If you're having difficulty, our friendly Customer Care team is always here to help. Call us at 1.336.861.0604 during business hours, email [parts@comfortpointe.com](mailto:parts@comfortpointe.com).